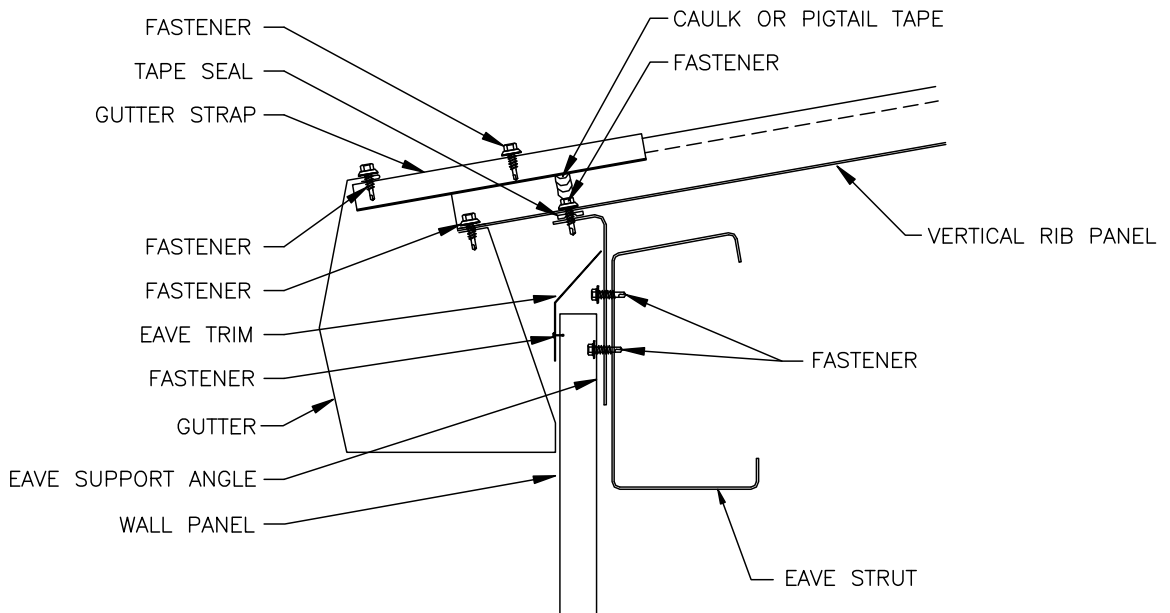
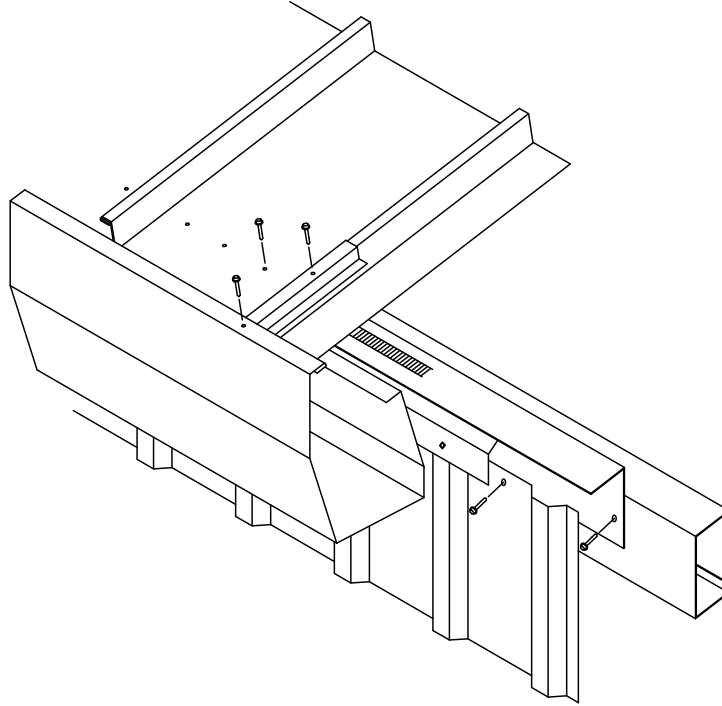




METAL BUILDING SYSTEMS MANUAL

DETAIL: VERTICAL RIB FIXED EAVE WITH  
POST HUNG SCULPTURED GUTTER

2-1



These are generic details, representative of general industry practices, but individual manufacturer's details may vary. See Foreword for license and disclaimer of warranties.

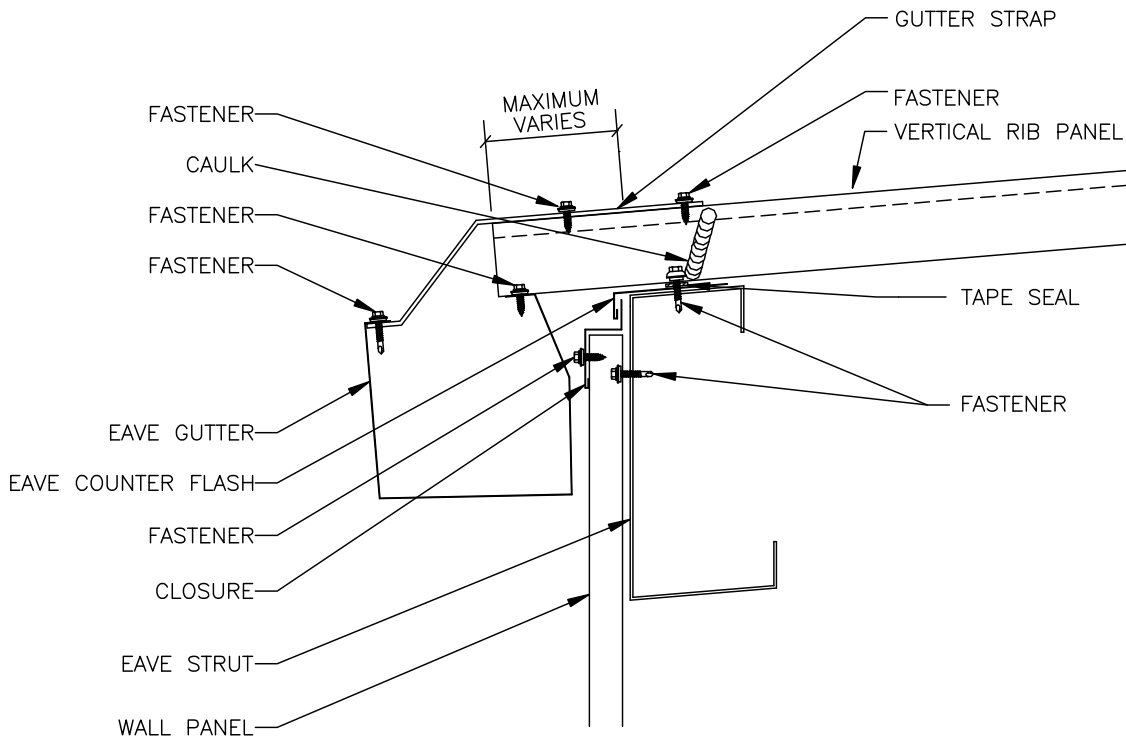
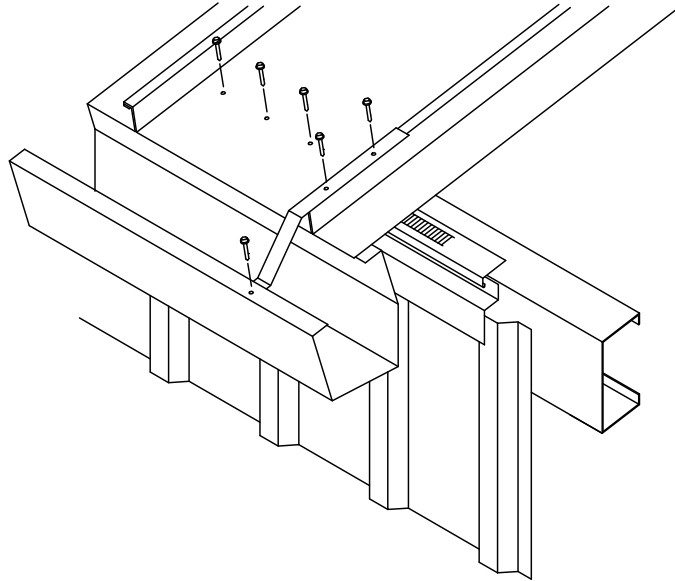
©Metal Building Manufacturers Association, Inc. All rights reserved.

Dec., 2018



METAL BUILDING SYSTEMS MANUAL

DETAIL: VERTICAL RIB FIXED EAVE WITH POST HUNG BOX GUTTER



These are generic details, representative of general industry practices, but individual manufacturer's details may vary. See Foreword for license and disclaimer of warranties.

©Metal Building Manufacturers Association, Inc. All rights reserved.

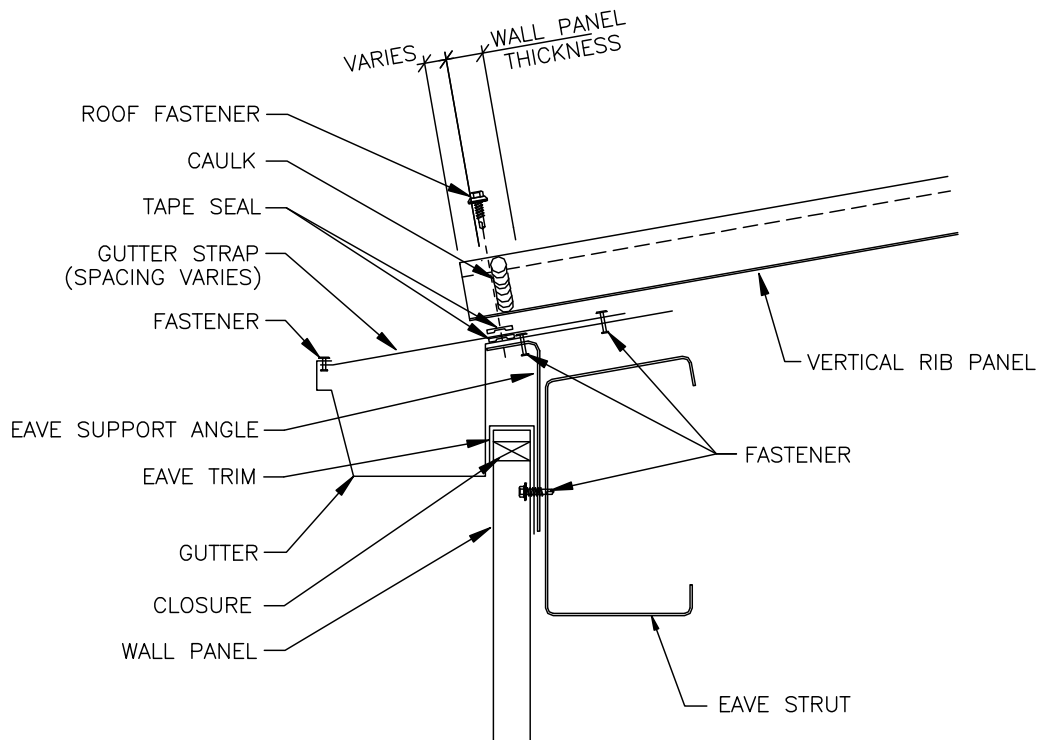
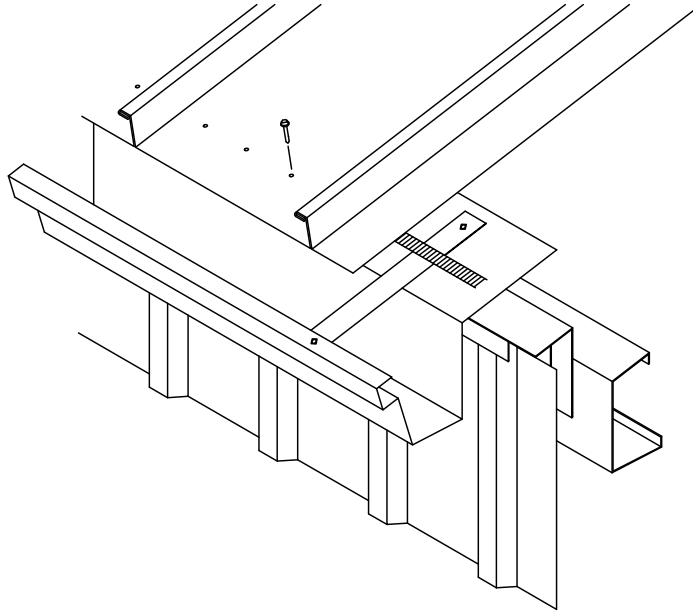
Dec., 2018



METAL BUILDING SYSTEMS MANUAL

DETAIL: VERTICAL RIB FIXED EAVE WITH FLANGE BACK GUTTER

2-3



These are generic details, representative of general industry practices, but individual manufacturer's details may vary. See Foreword for license and disclaimer of warranties.

©Metal Building Manufacturers Association, Inc. All rights reserved.

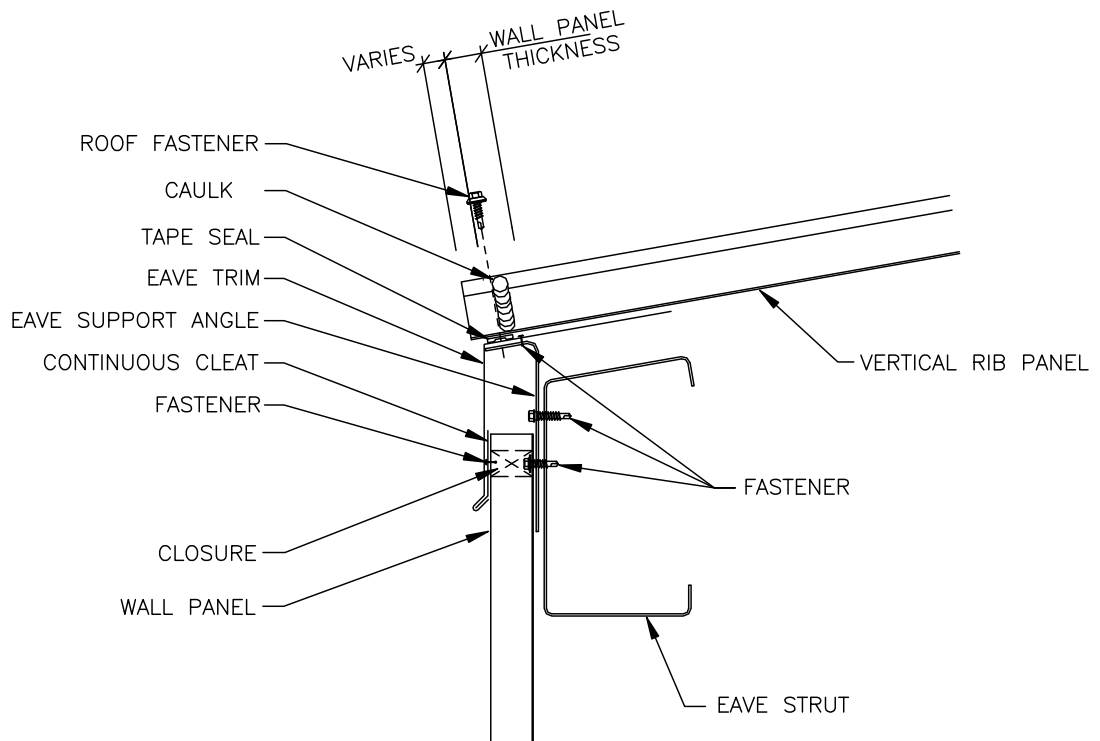
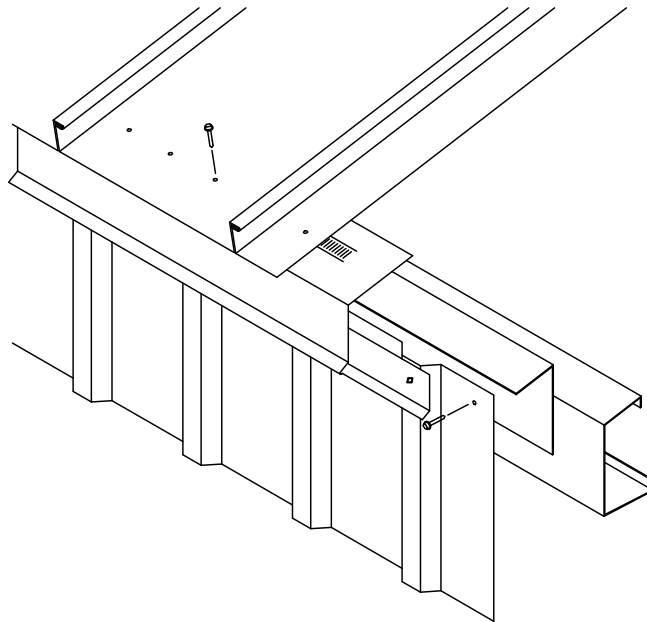
Dec., 2018



METAL BUILDING SYSTEMS MANUAL

DETAIL: VERTICAL RIB FIXED EAVE WITH SIMPLE EAVE TRIM

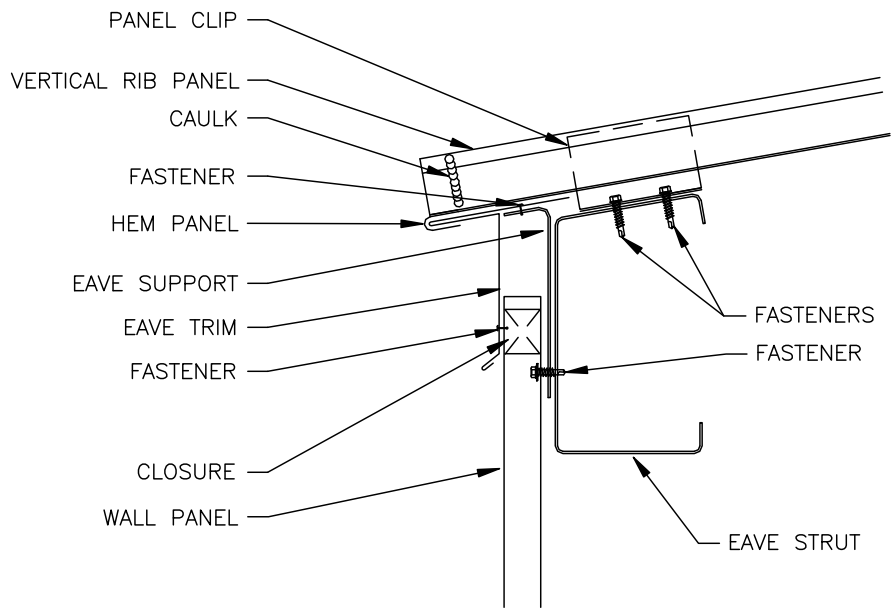
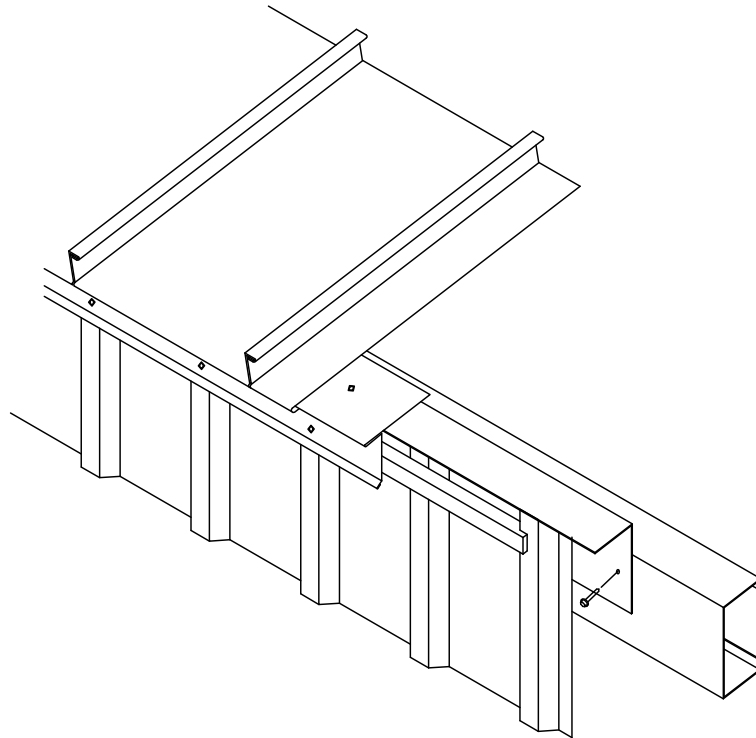
2-4



These are generic details, representative of general industry practices, but individual manufacturer's details may vary. See Foreword for license and disclaimer of warranties.

©Metal Building Manufacturers Association, Inc. All rights reserved.

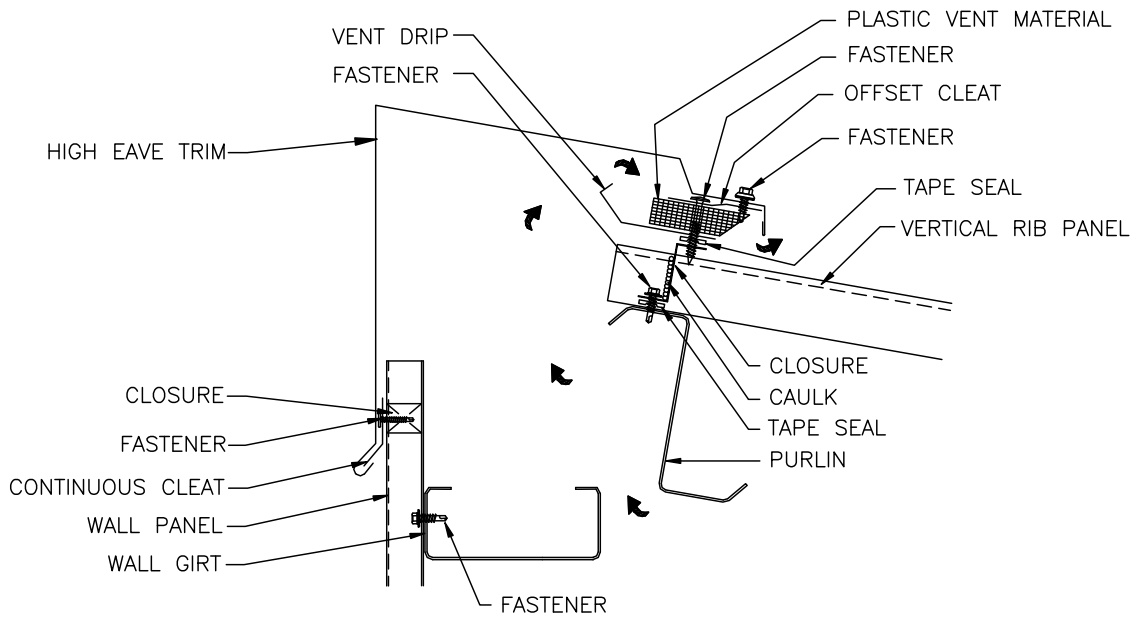
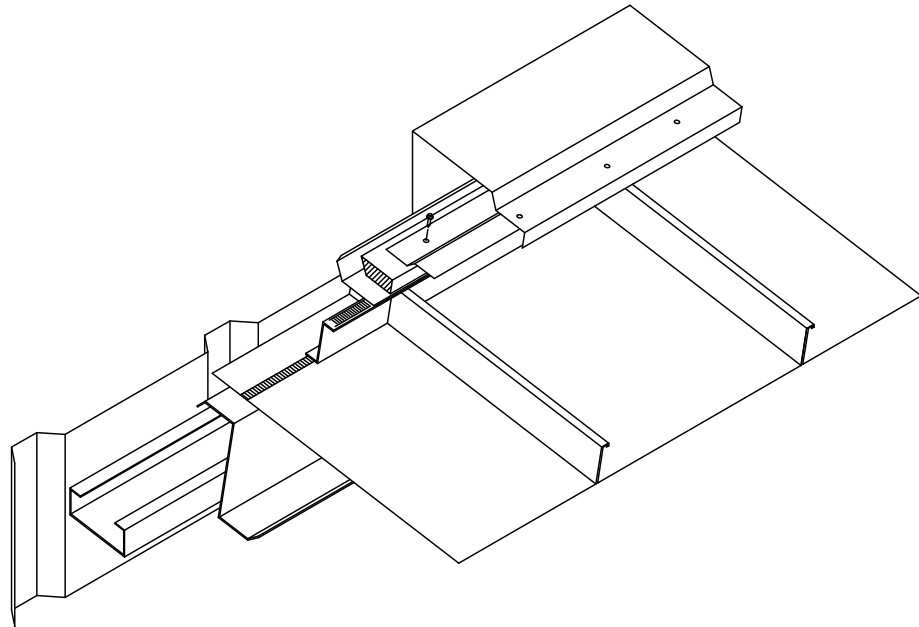
Dec., 2018



These are generic details, representative of general industry practices, but individual manufacturer's details may vary. See Foreword for license and disclaimer of warranties.

©Metal Building Manufacturers Association, Inc. All rights reserved.

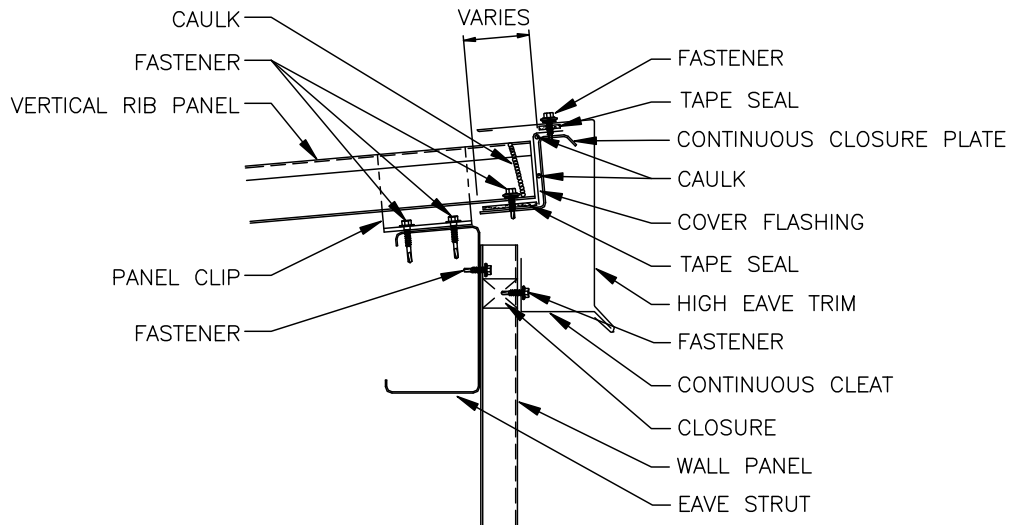
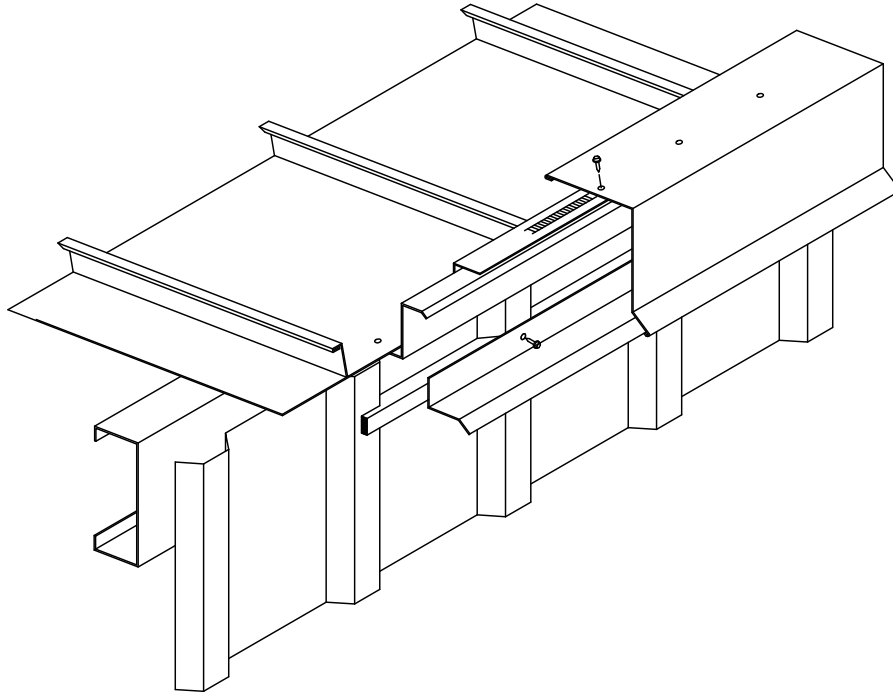
Dec., 2018



These are generic details, representative of general industry practices, but individual manufacturer's details may vary. See Foreword for license and disclaimer of warranties.

©Metal Building Manufacturers Association, Inc. All rights reserved.

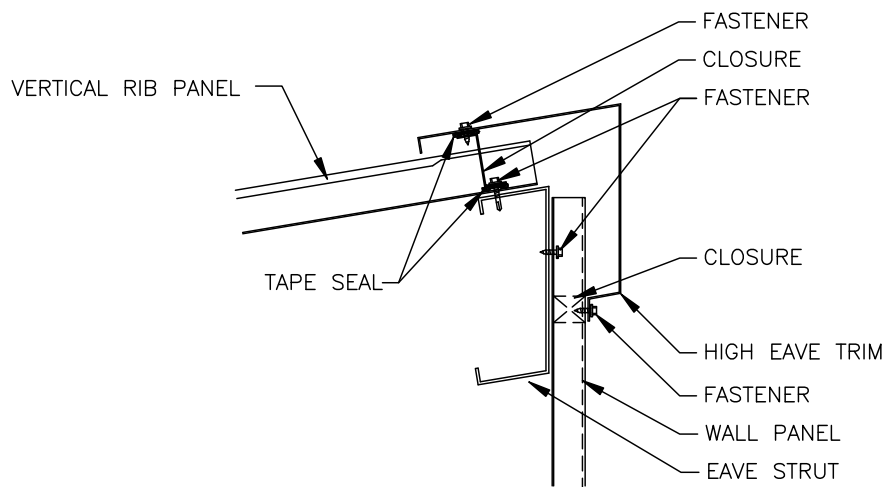
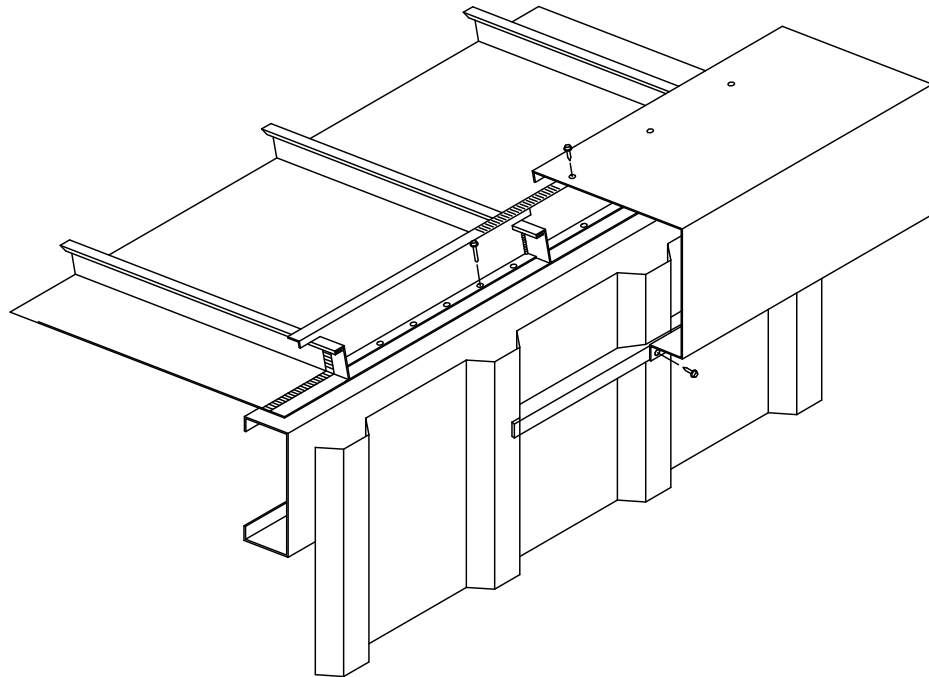
Dec., 2018



These are generic details, representative of general industry practices, but individual manufacturer's details may vary. See Foreword for license and disclaimer of warranties.

©Metal Building Manufacturers Association, Inc. All rights reserved.

Dec., 2018

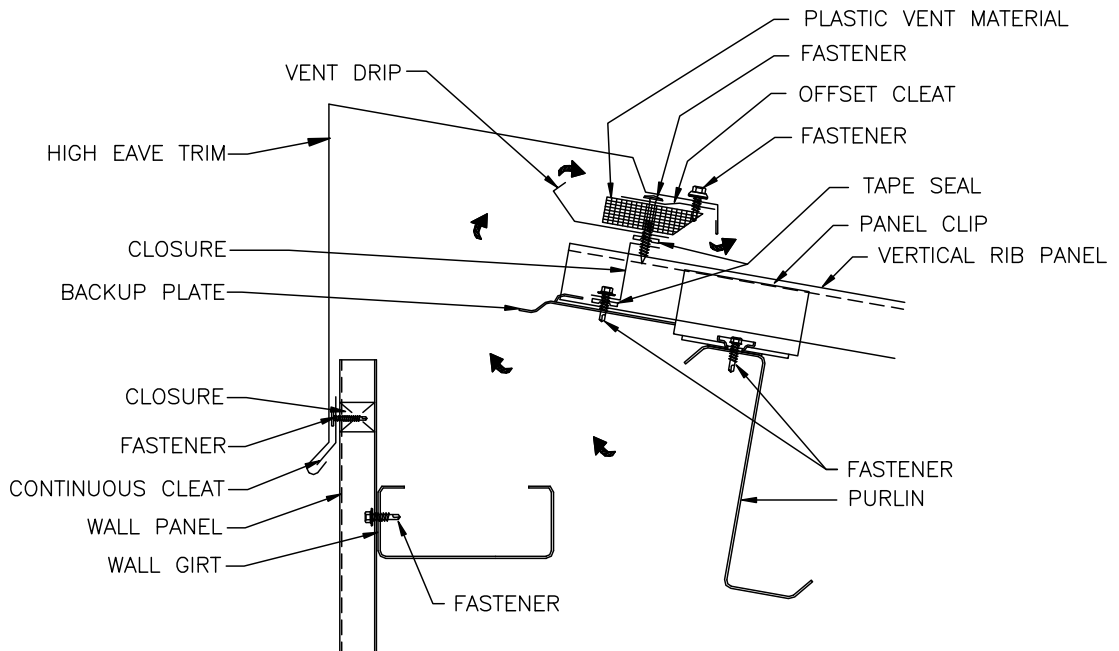
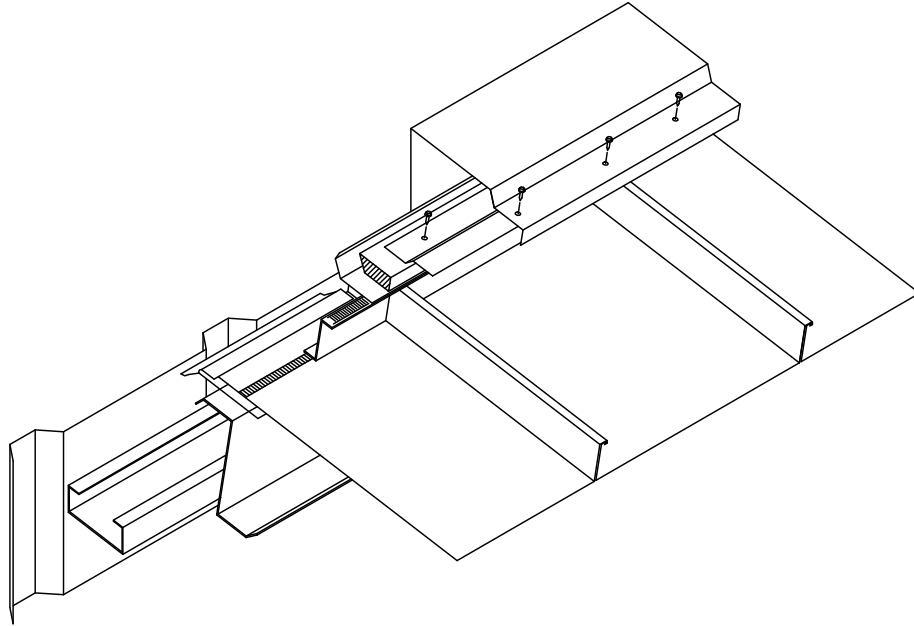


These are generic details, representative of general industry practices, but individual manufacturer's details may vary. See Foreword for license and disclaimer of warranties.

©Metal Building Manufacturers Association, Inc. All rights reserved.

Dec., 2018

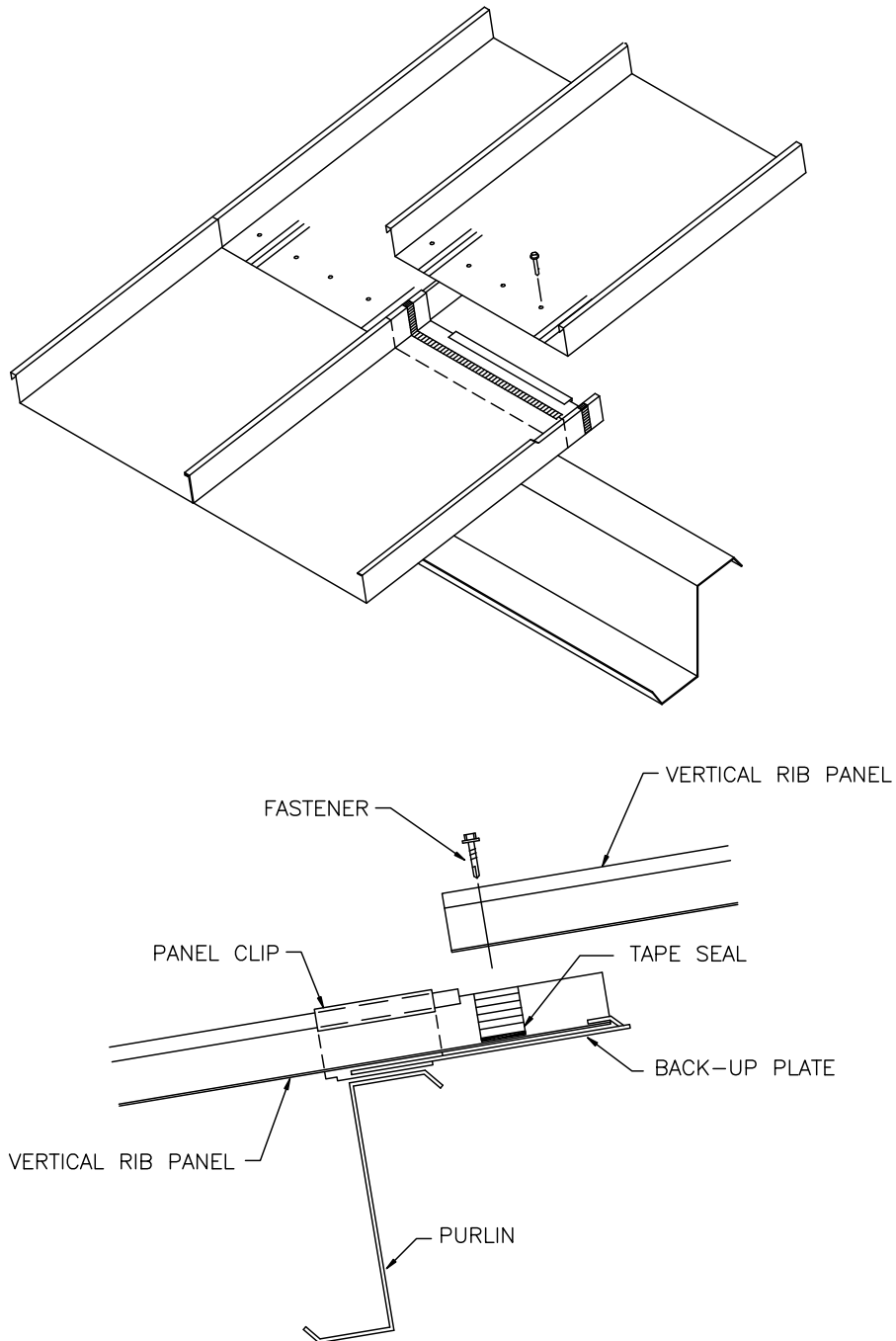




These are generic details, representative of general industry practices, but individual manufacturer's details may vary. See Foreword for license and disclaimer of warranties.

©Metal Building Manufacturers Association, Inc. All rights reserved.

Dec., 2018



These are generic details, representative of general industry practices, but individual manufacturer's details may vary. See Foreword for license and disclaimer of warranties.

©Metal Building Manufacturers Association, Inc. All rights reserved.

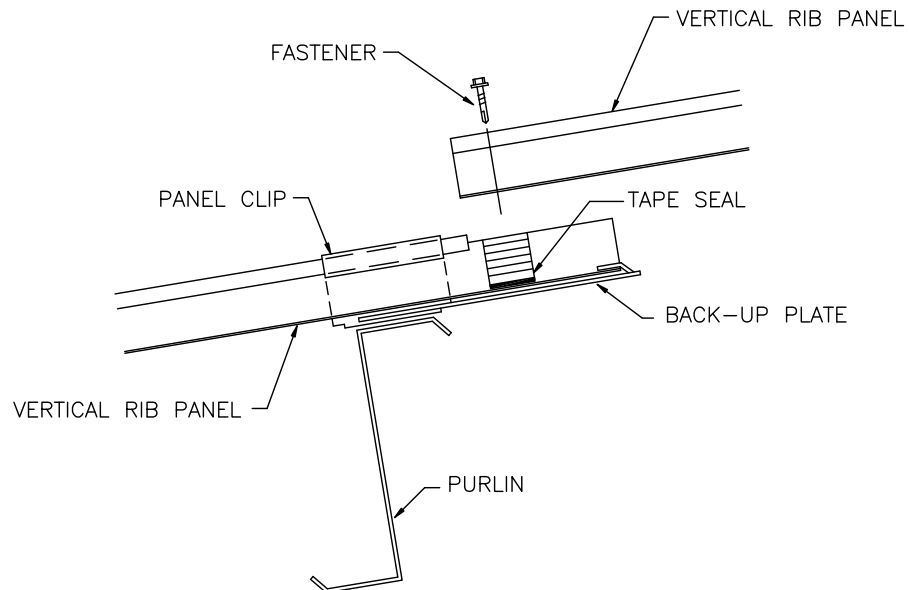
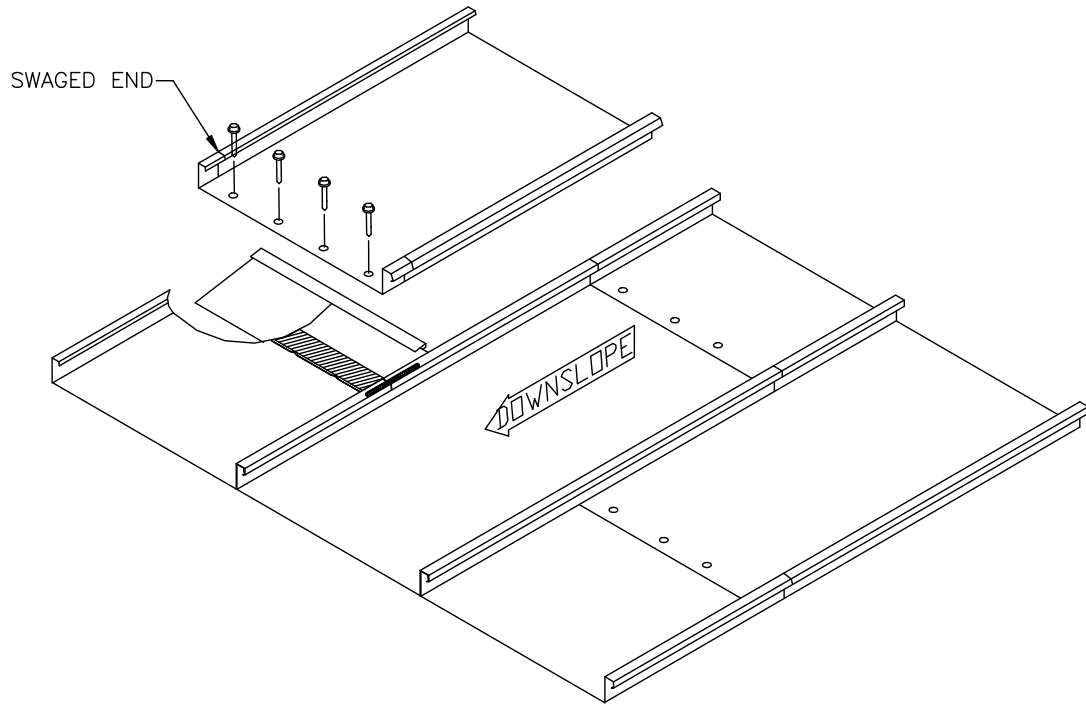
Dec., 2018



METAL BUILDING SYSTEMS MANUAL

DETAIL: VERTICAL RIB WITH STAGGERED END LAPS

2-11



These are generic details, representative of general industry practices, but individual manufacturer's details may vary. See Foreword for license and disclaimer of warranties.

©Metal Building Manufacturers Association, Inc. All rights reserved.

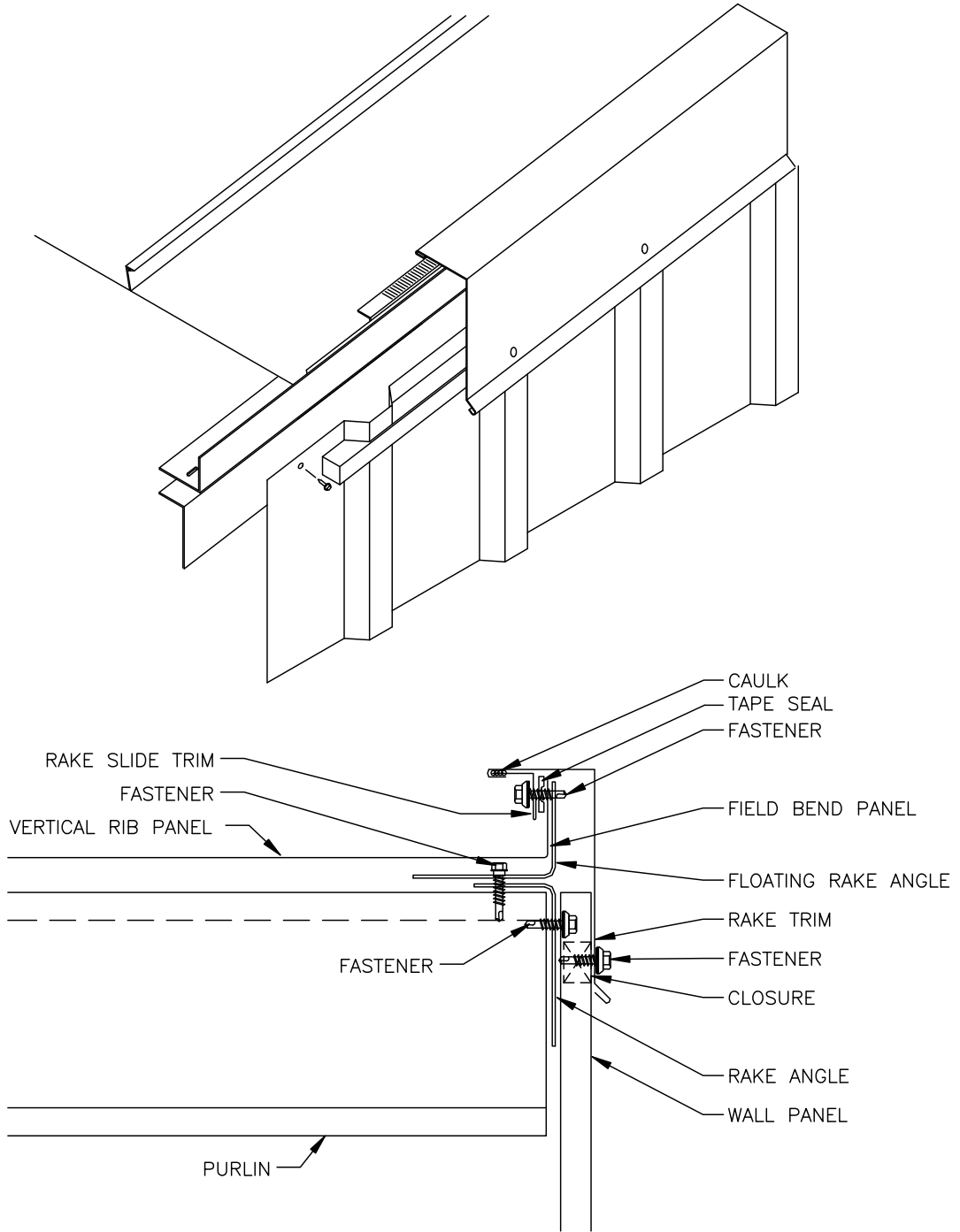
Dec., 2018



METAL BUILDING SYSTEMS MANUAL

DETAIL: VERTICAL RIB FLOATING RAKE WITH HIGH FINISH

2-12



These are generic details, representative of general industry practices, but individual manufacturer's details may vary. See Foreword for license and disclaimer of warranties.

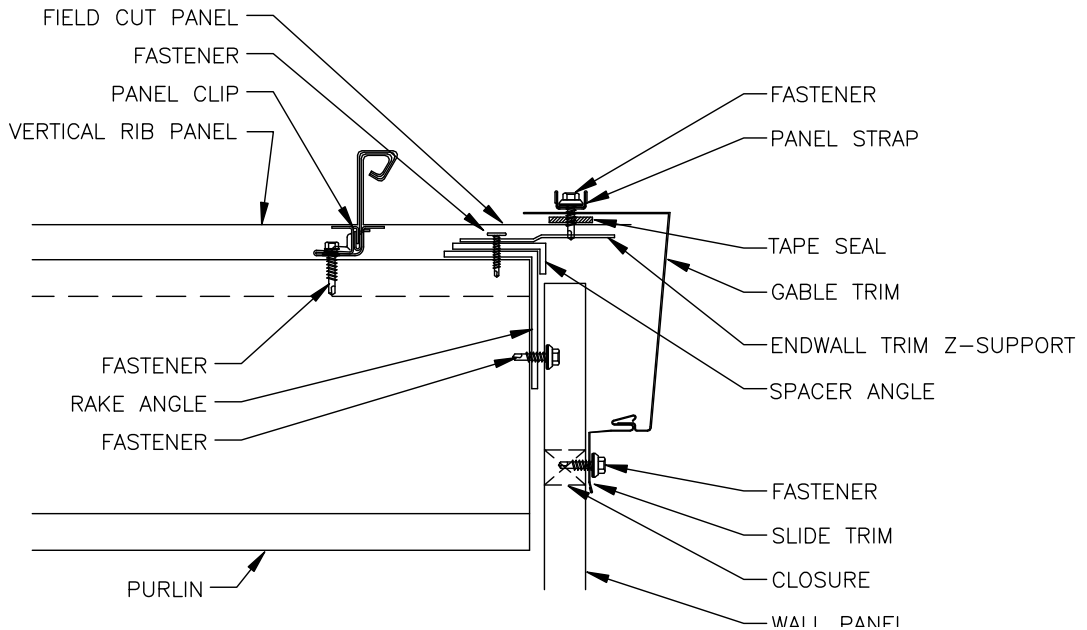
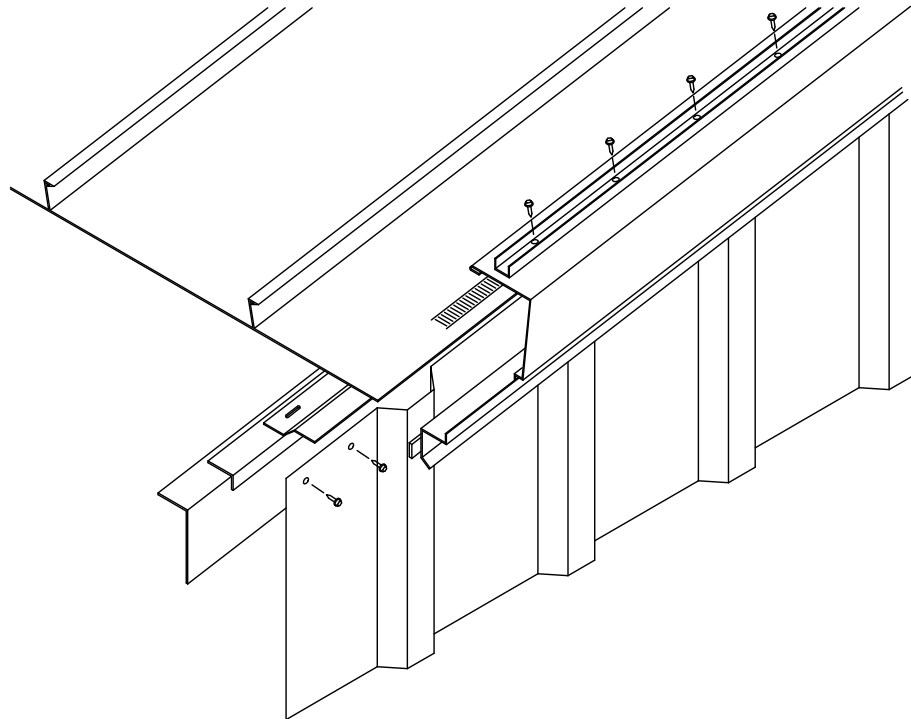
©Metal Building Manufacturers Association, Inc. All rights reserved.

Dec., 2018



METAL BUILDING SYSTEMS MANUAL

DETAIL: VERTICAL RIB FLOATING RAKE WITH LOW FINISH



These are generic details, representative of general industry practices, but individual manufacturer's details may vary. See Foreword for license and disclaimer of warranties.

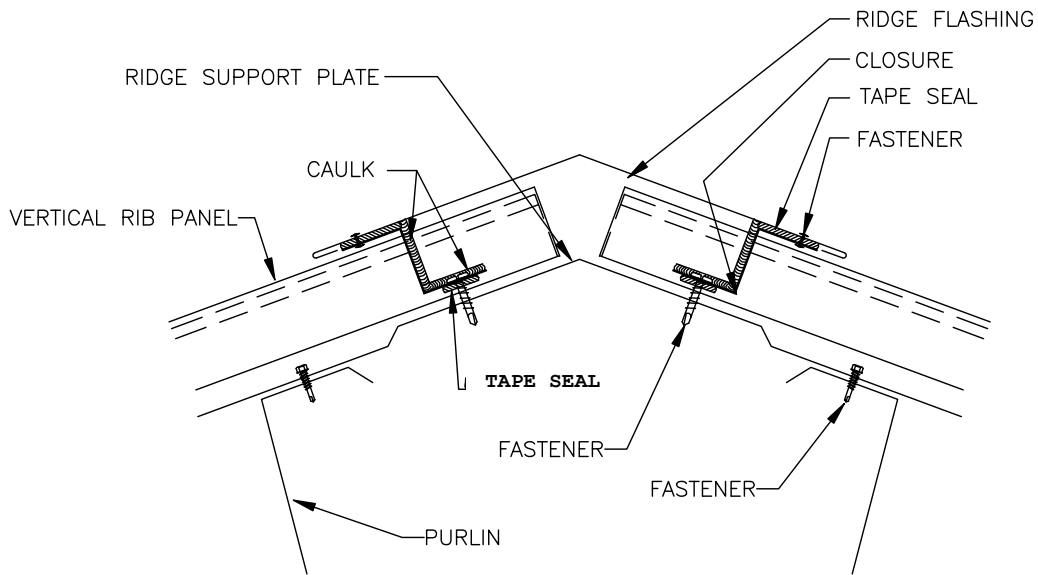
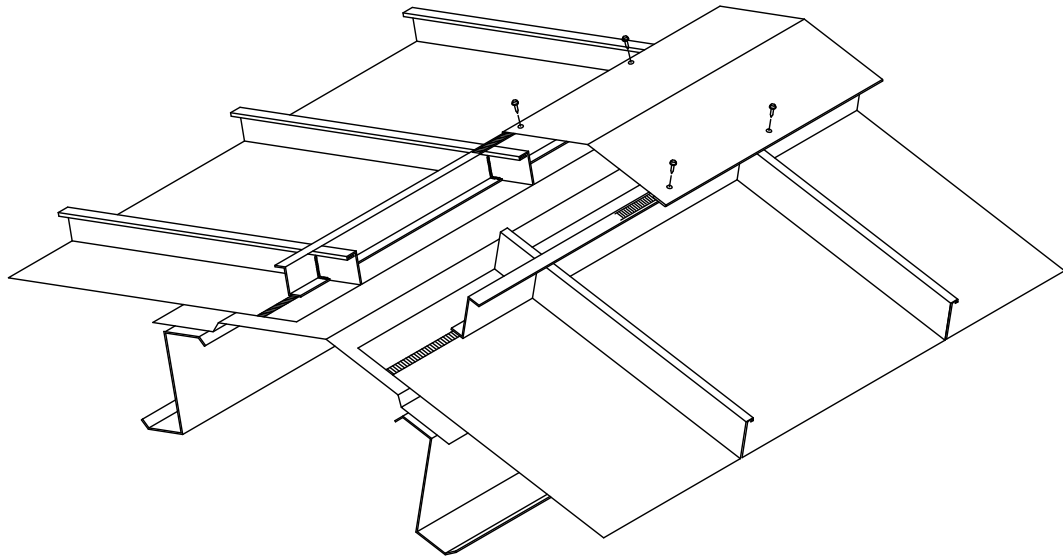
©Metal Building Manufacturers Association, Inc. All rights reserved.

Dec., 2018



METAL BUILDING SYSTEMS MANUAL

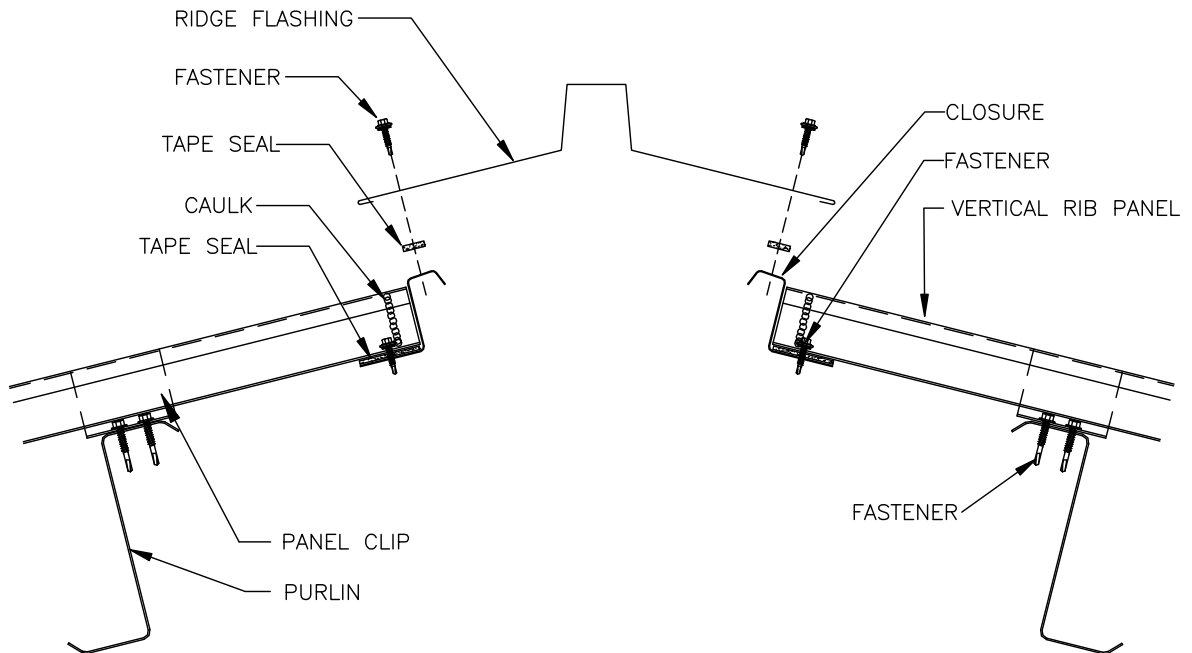
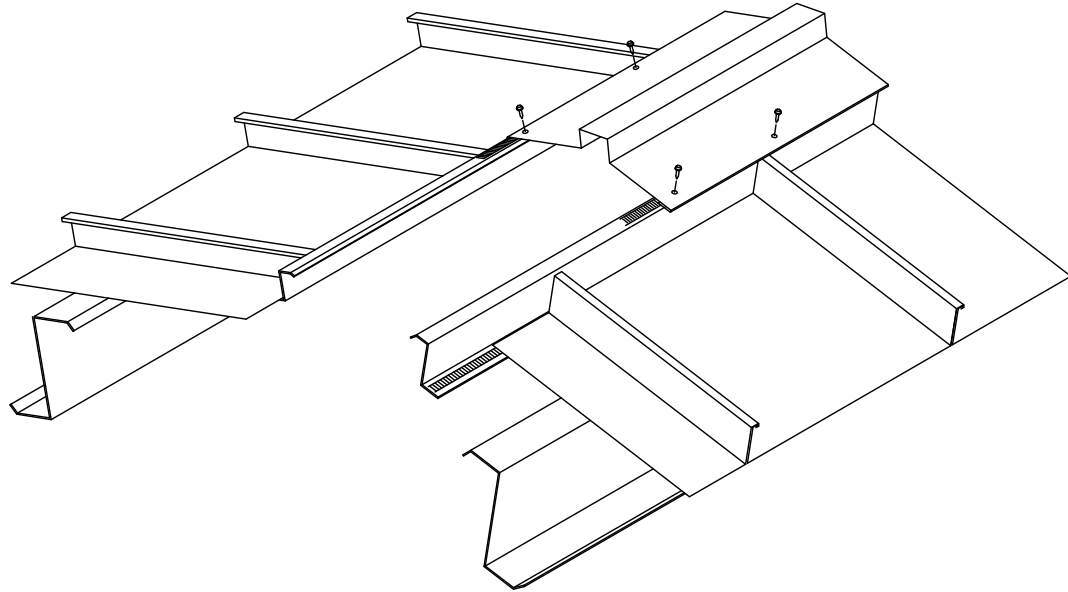
DETAIL: VERTICAL RIB NON-VENTED FIXED RIDGE



These are generic details, representative of general industry practices, but individual manufacturer's details may vary. See Foreword for license and disclaimer of warranties.

©Metal Building Manufacturers Association, Inc. All rights reserved.

Dec., 2018



These are generic details, representative of general industry practices, but individual manufacturer's details may vary. See Foreword for license and disclaimer of warranties.

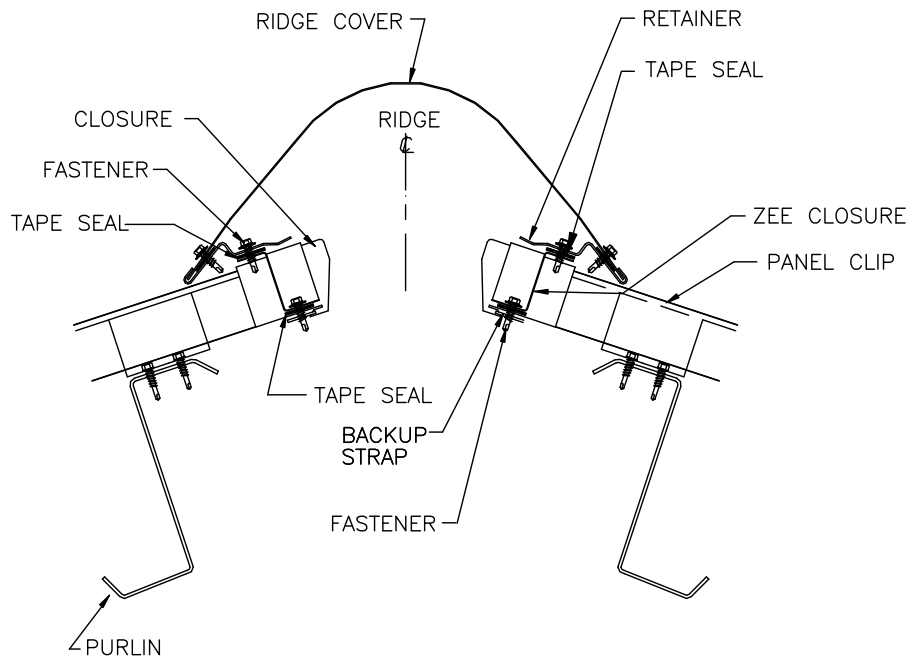
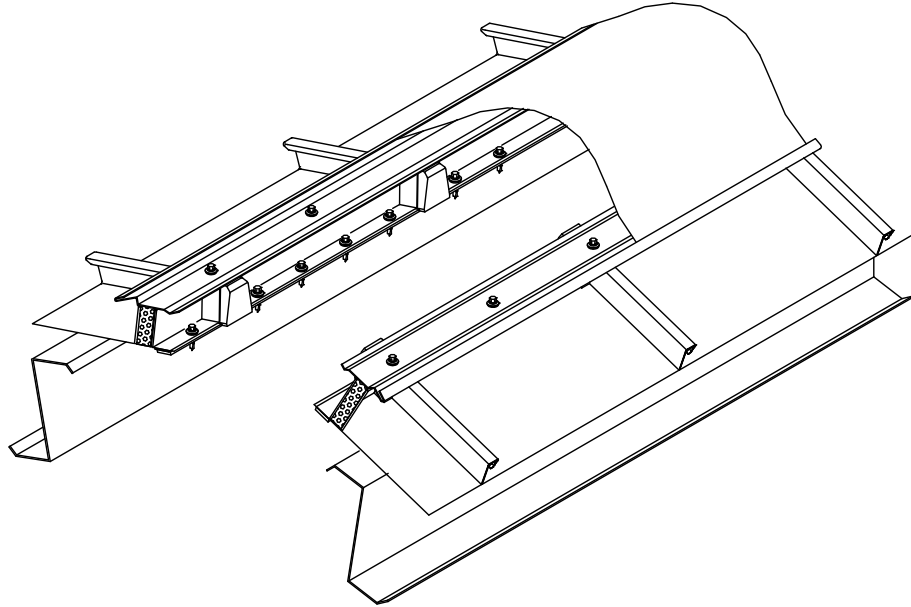
©Metal Building Manufacturers Association, Inc. All rights reserved.

Dec., 2018



METAL BUILDING SYSTEMS MANUAL

DETAIL: VERTICAL RIB NON-VENTED FLOATING RIDGE



These are generic details, representative of general industry practices, but individual manufacturer's details may vary. See Foreword for license and disclaimer of warranties.

©Metal Building Manufacturers Association, Inc. All rights reserved.

Dec., 2018

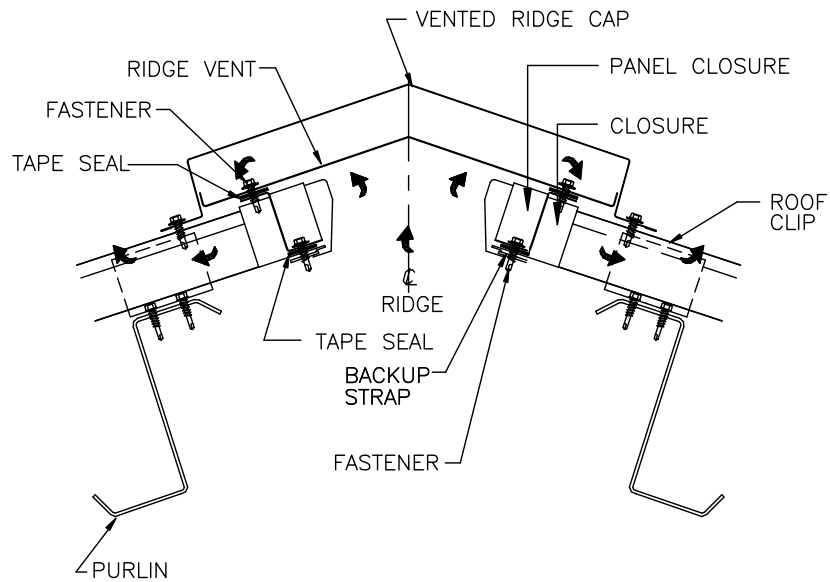
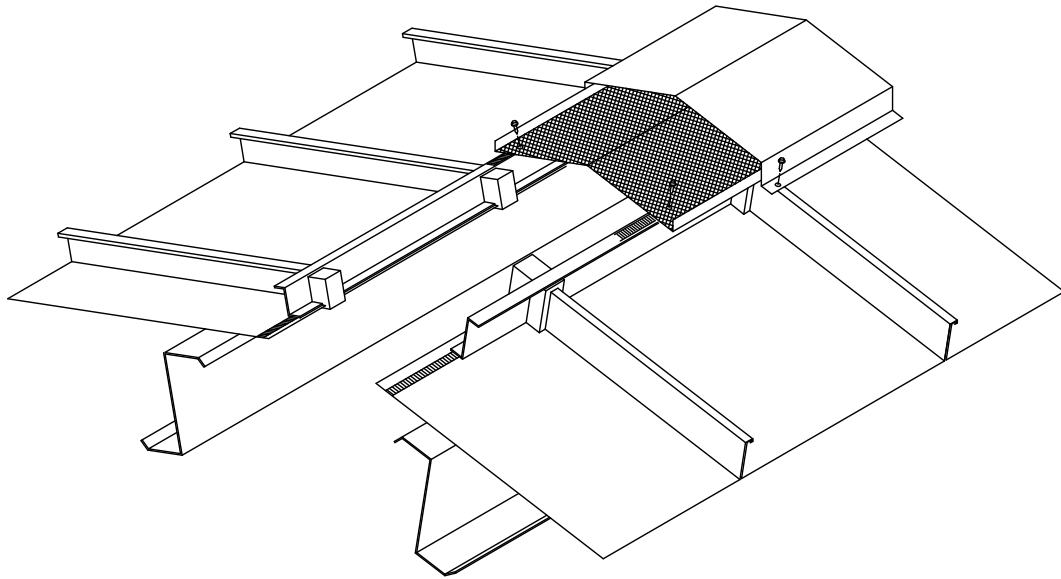




METAL BUILDING SYSTEMS MANUAL

DETAIL: VERTICAL RIB VENTED FLOATING RIDGE

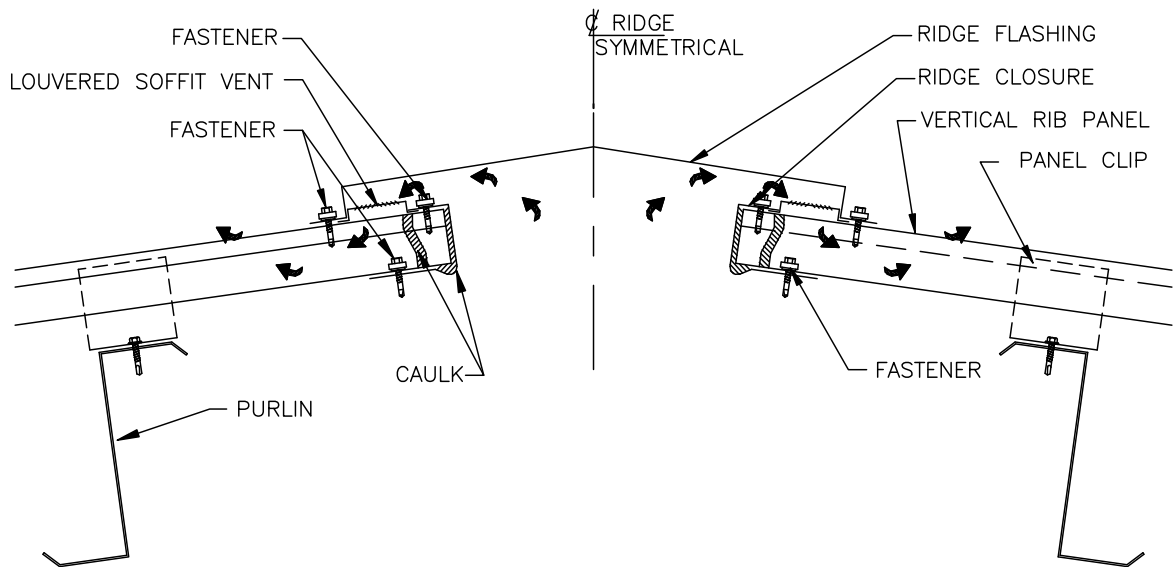
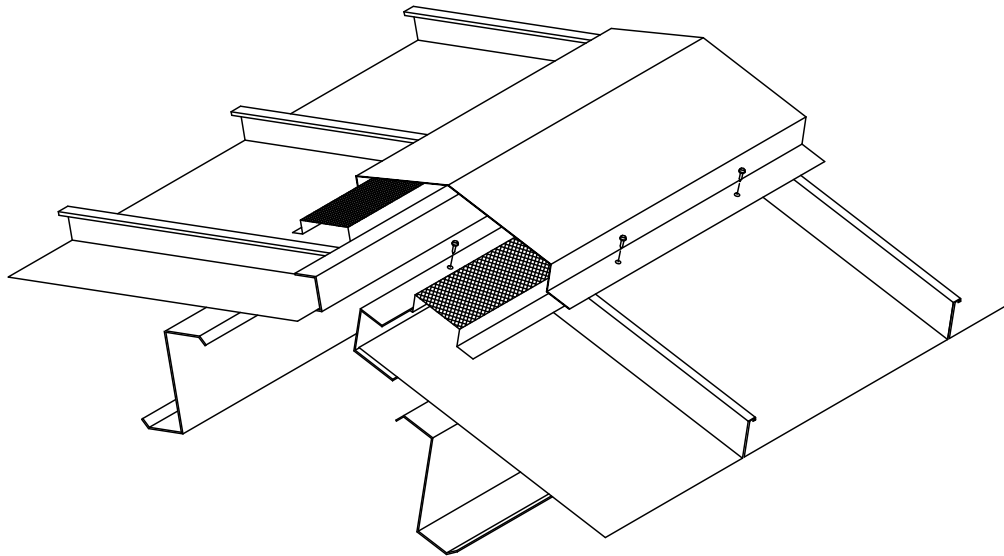
2-17



These are generic details, representative of general industry practices, but individual manufacturer's details may vary. See Foreword for license and disclaimer of warranties.

©Metal Building Manufacturers Association, Inc. All rights reserved.

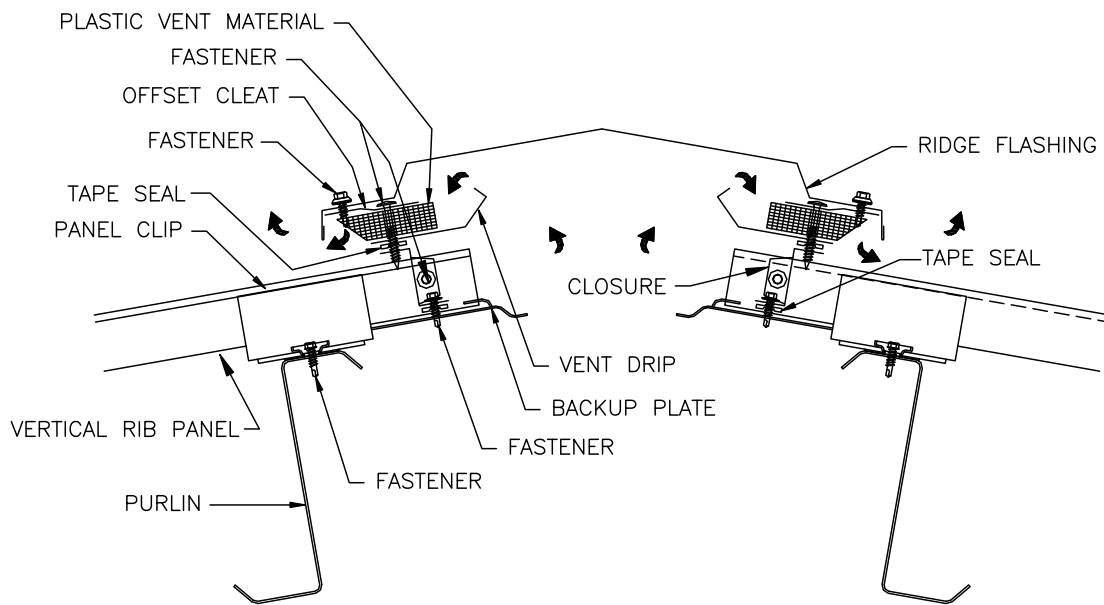
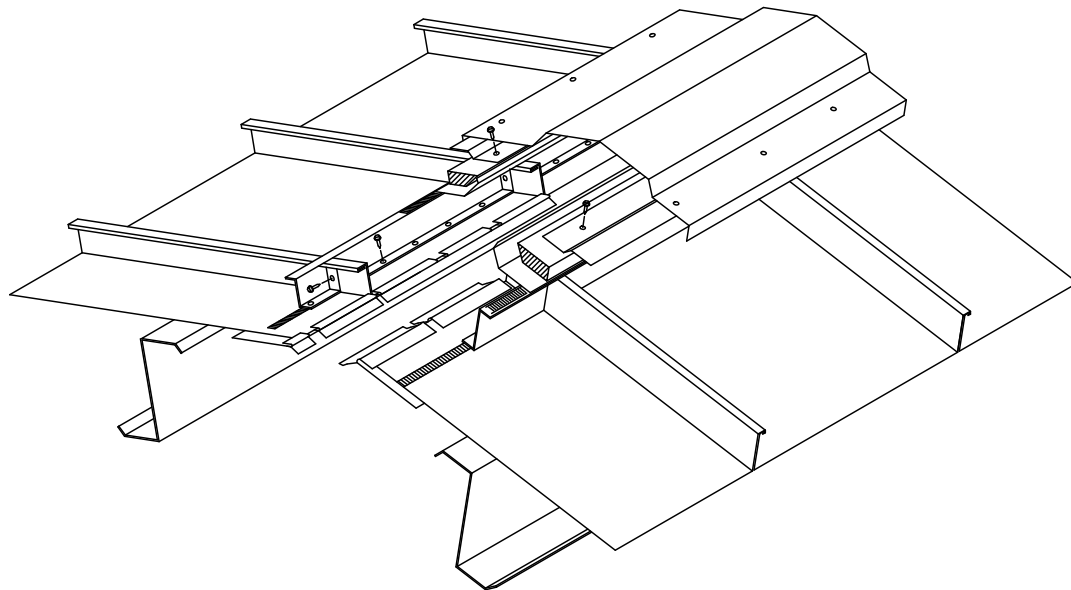
Dec., 2018



These are generic details, representative of general industry practices, but individual manufacturer's details may vary. See Foreword for license and disclaimer of warranties.

©Metal Building Manufacturers Association, Inc. All rights reserved.

Dec., 2018



These are generic details, representative of general industry practices, but individual manufacturer's details may vary. See Foreword for license and disclaimer of warranties.

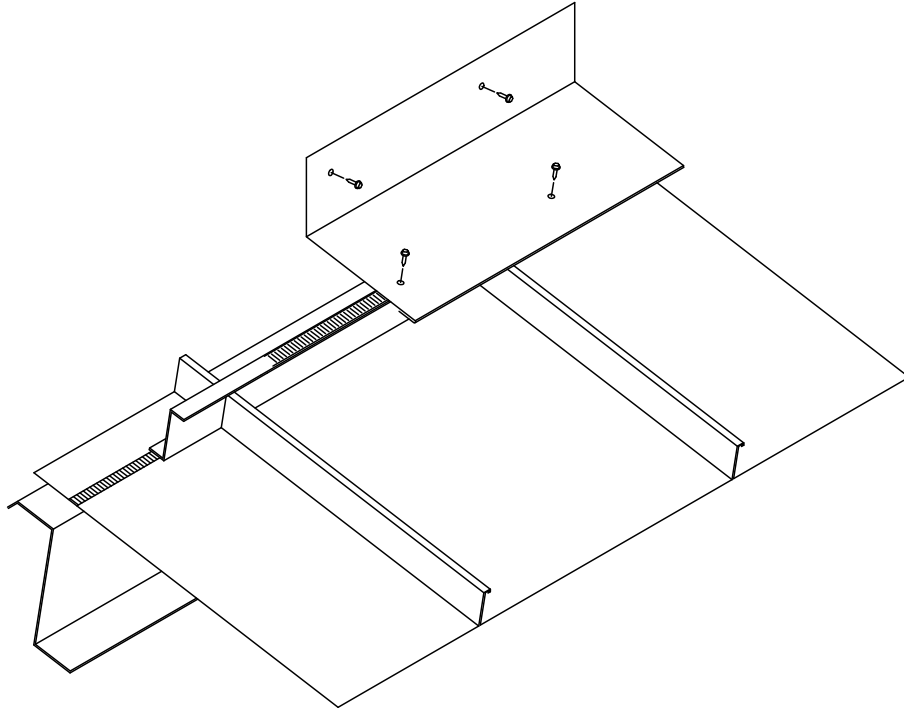
©Metal Building Manufacturers Association, Inc. All rights reserved.

Dec., 2018

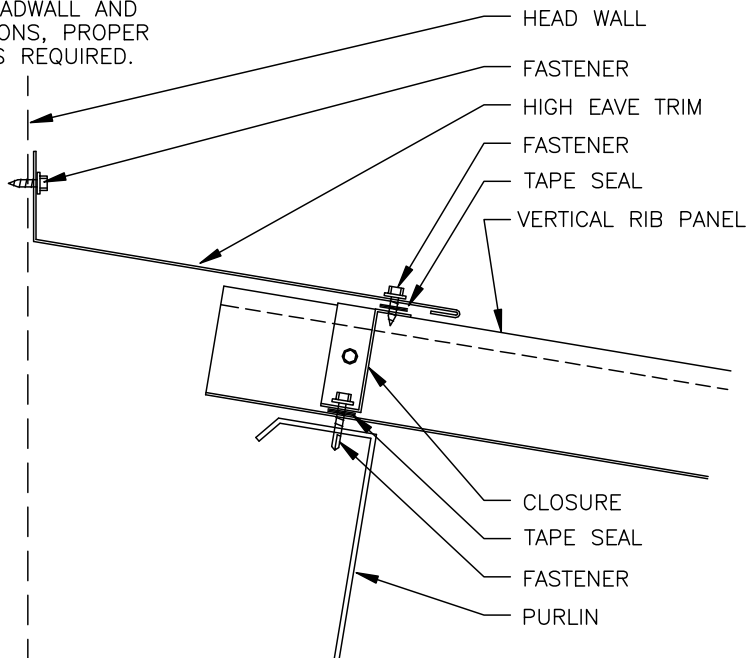


METAL BUILDING SYSTEMS MANUAL

DETAIL: VERTICAL RIB NON-VENTED FIXED HIGH EAVE AT HEAD WALL



NOTE: AT ALL HEADWALL AND PARAPET CONDITIONS, PROPER COUNTERFLASH IS REQUIRED.



These are generic details, representative of general industry practices, but individual manufacturer's details may vary. See Foreword for license and disclaimer of warranties.

©Metal Building Manufacturers Association, Inc. All rights reserved.

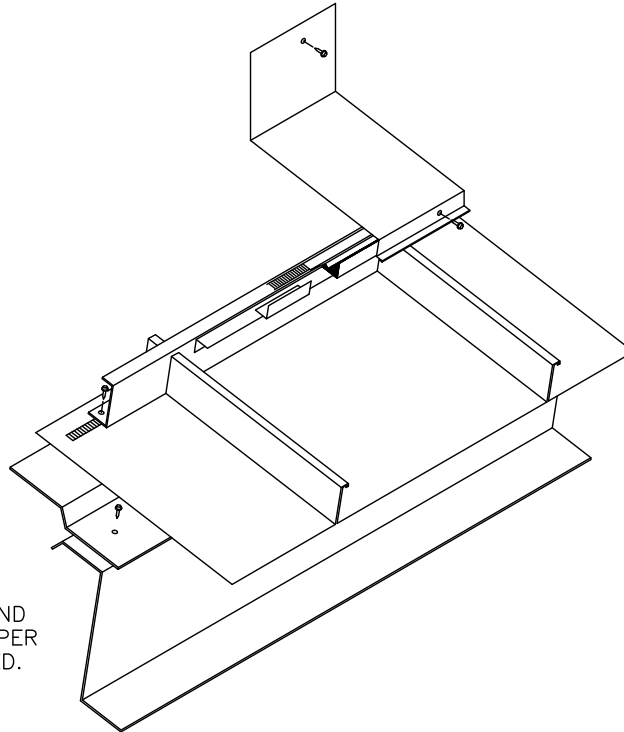
Dec., 2018



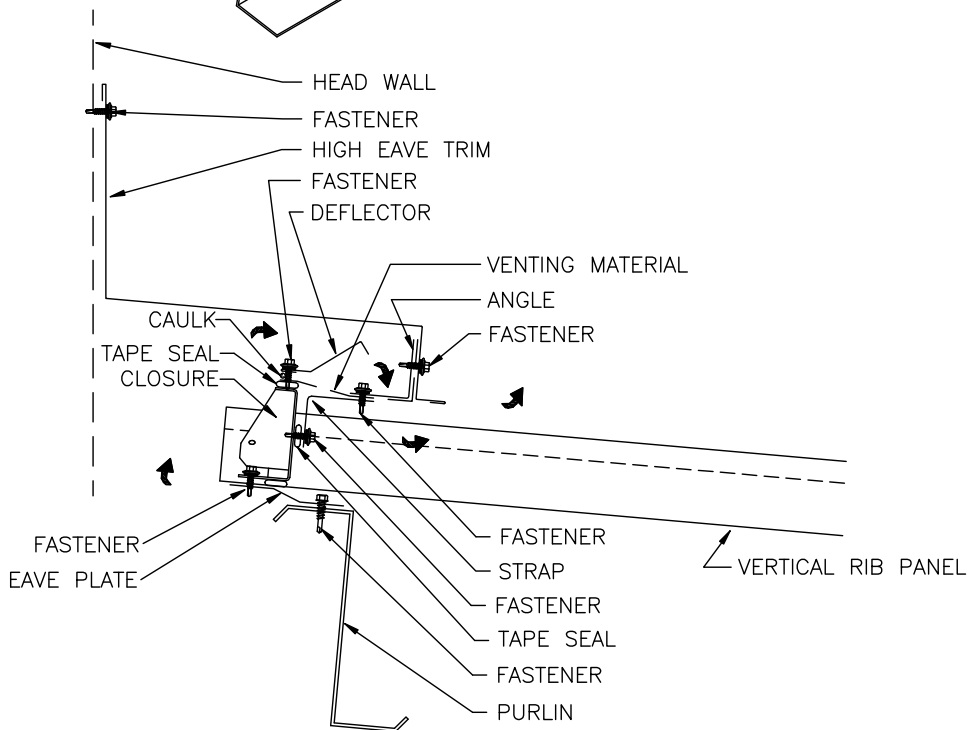
METAL BUILDING SYSTEMS MANUAL

DETAIL: VERTICAL RIB VENTED FIXED HIGH EAVE AT HEAD WALL

2-21



NOTE: AT ALL HEADWALL AND PARAPET CONDITIONS, PROPER COUNTERFLASH IS REQUIRED.



These are generic details, representative of general industry practices, but individual manufacturer's details may vary. See Foreword for license and disclaimer of warranties.

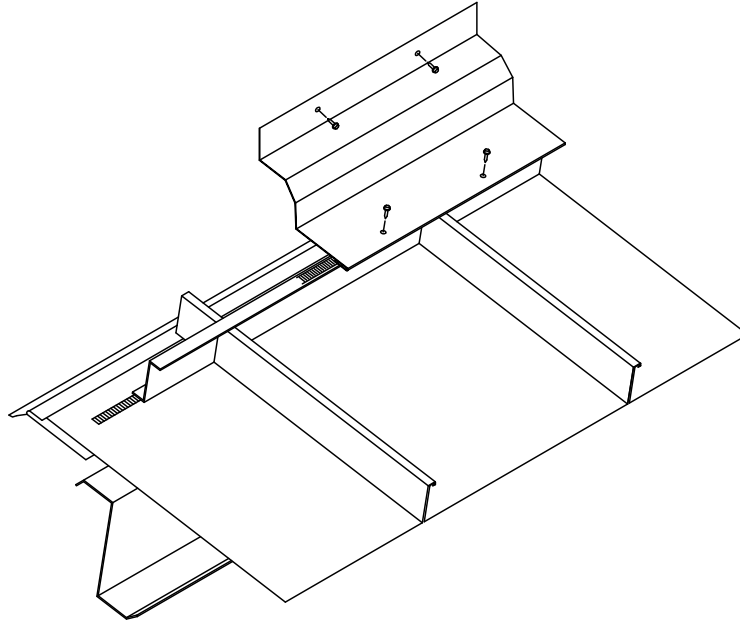
©Metal Building Manufacturers Association, Inc. All rights reserved.

Dec., 2018

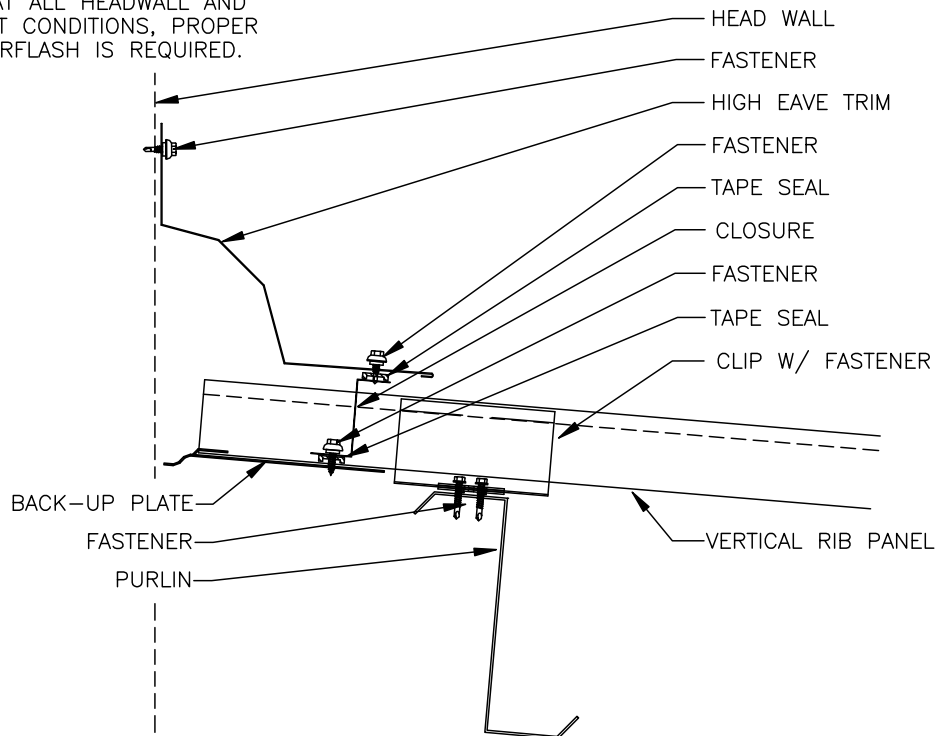


METAL BUILDING SYSTEMS MANUAL

DETAIL: VERTICAL RIB NON-VENTED FLOATING HIGH EAVE AT HEAD WALL



NOTE: AT ALL HEADWALL AND PARAPET CONDITIONS, PROPER COUNTERFLASH IS REQUIRED.



These are generic details, representative of general industry practices, but individual manufacturer's details may vary. See Foreword for license and disclaimer of warranties.

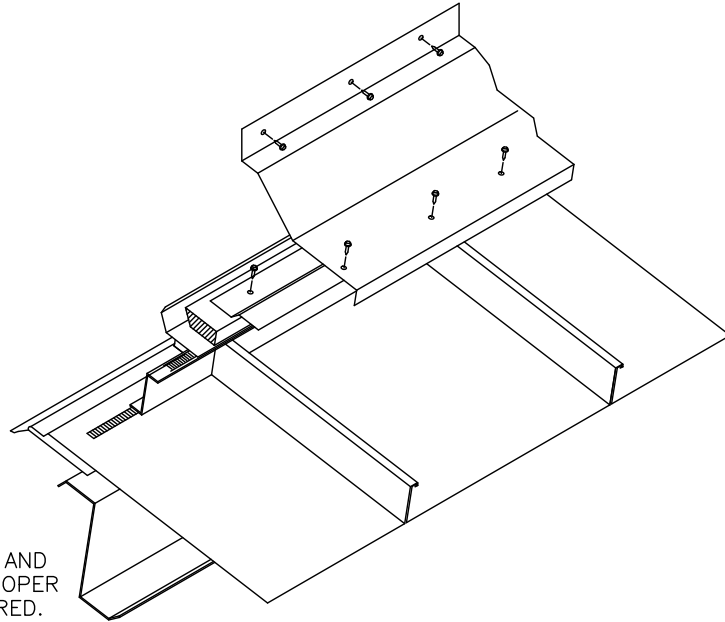
©Metal Building Manufacturers Association, Inc. All rights reserved.

Dec., 2018

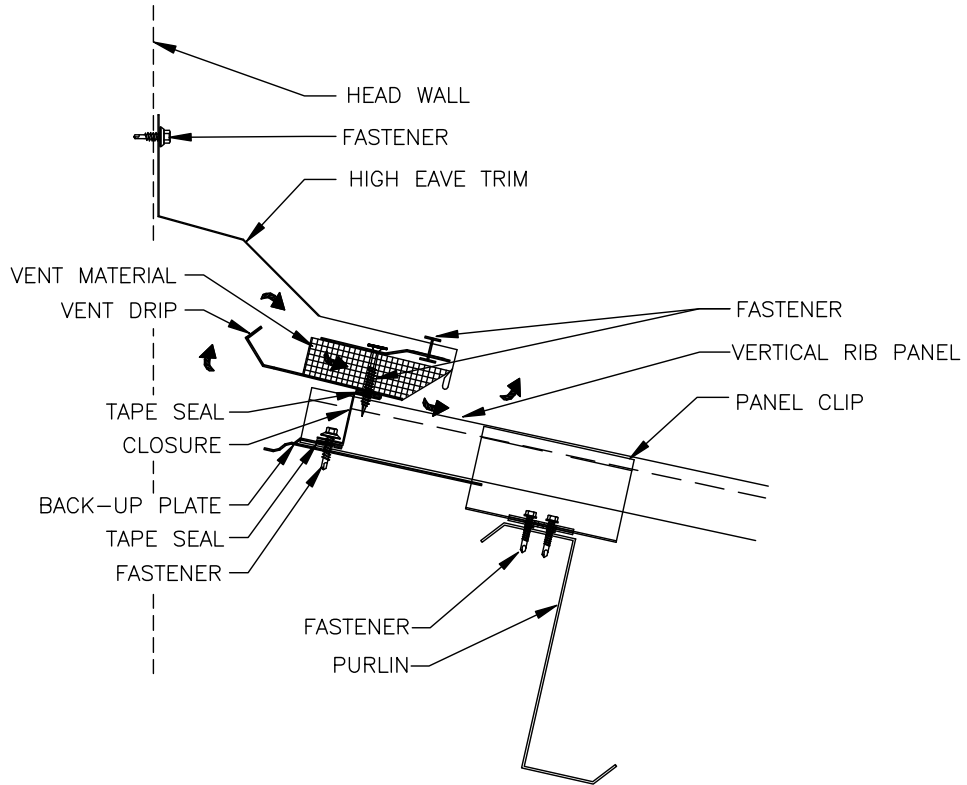


METAL BUILDING SYSTEMS MANUAL

DETAIL: VERTICAL RIB VENTED FLOATING  
HIGH EAVE AT HEAD WALL



NOTE: AT ALL HEADWALL AND  
PARAPET CONDITIONS, PROPER  
COUNTERFLASH IS REQUIRED.



These are generic details, representative of general industry practices, but individual manufacturer's details may vary. See Foreword for license and disclaimer of warranties.

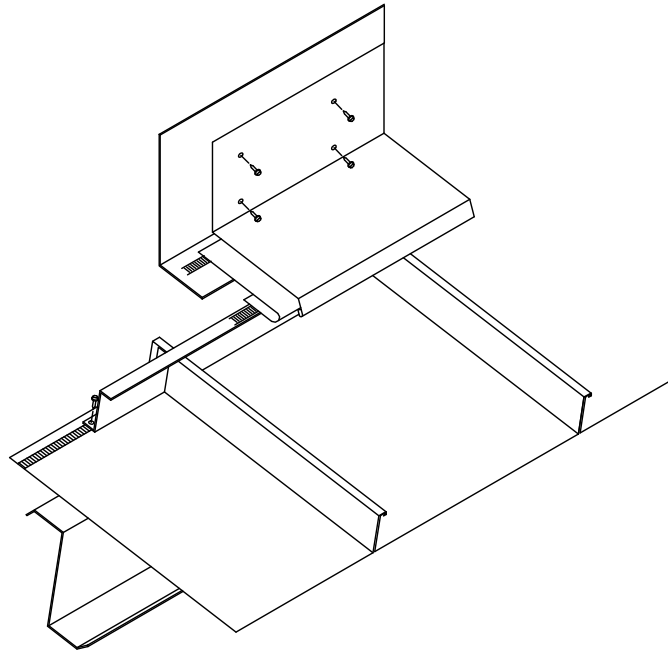
©Metal Building Manufacturers Association, Inc. All rights reserved.

Dec., 2018

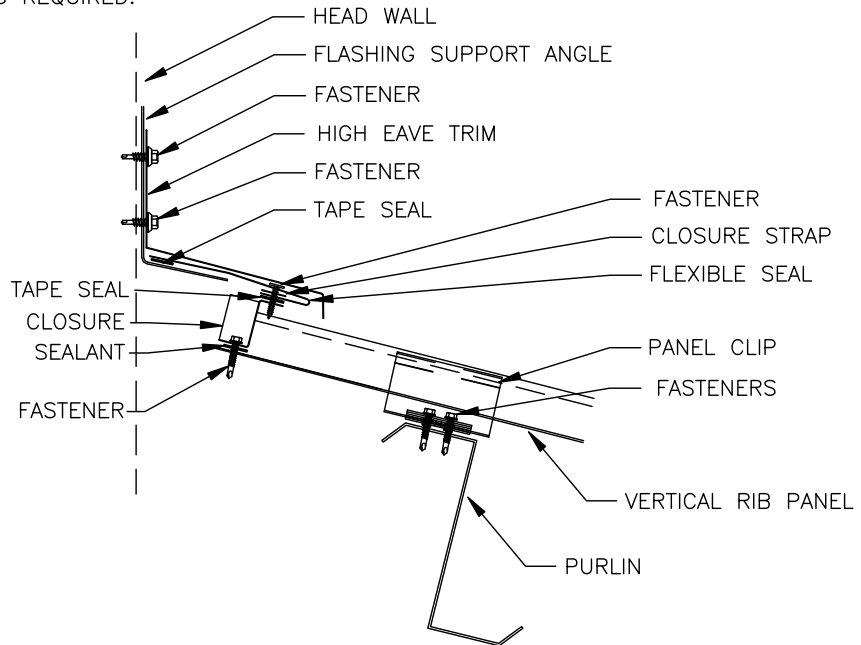


METAL BUILDING SYSTEMS MANUAL

DETAIL: VERTICAL RIB NON-VENTED FLOATING HIGH EAVE AT HEAD WALL



NOTE: AT ALL HEADWALL AND PARAPET CONDITIONS, PROPER COUNTERFLASH IS REQUIRED.

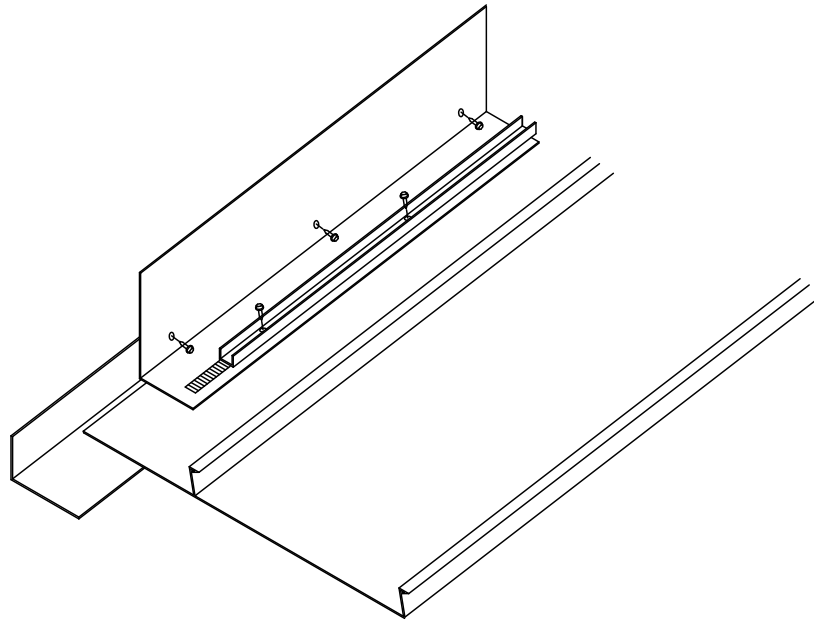


These are generic details, representative of general industry practices, but individual manufacturer's details may vary. See Foreword for license and disclaimer of warranties.

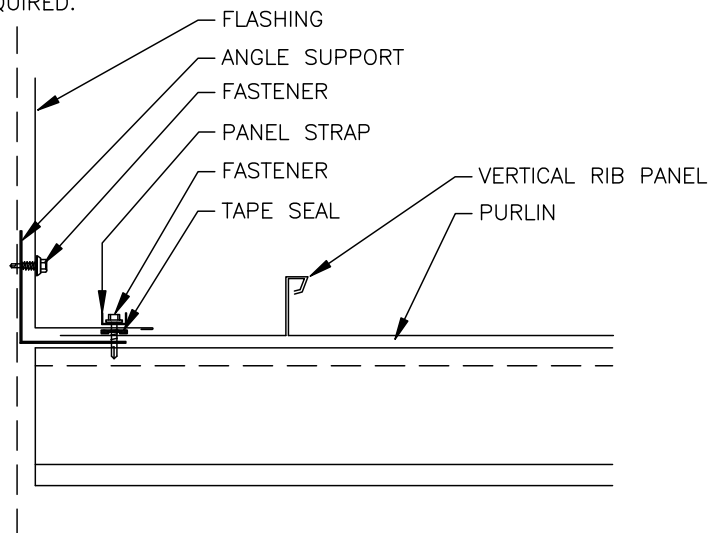
©Metal Building Manufacturers Association, Inc. All rights reserved.

Dec., 2018





NOTE: AT ALL HEADWALL AND PARAPET CONDITIONS, PROPER COUNTERFLASH IS REQUIRED.



These are generic details, representative of general industry practices, but individual manufacturer's details may vary. See Foreword for license and disclaimer of warranties.

©Metal Building Manufacturers Association, Inc. All rights reserved.

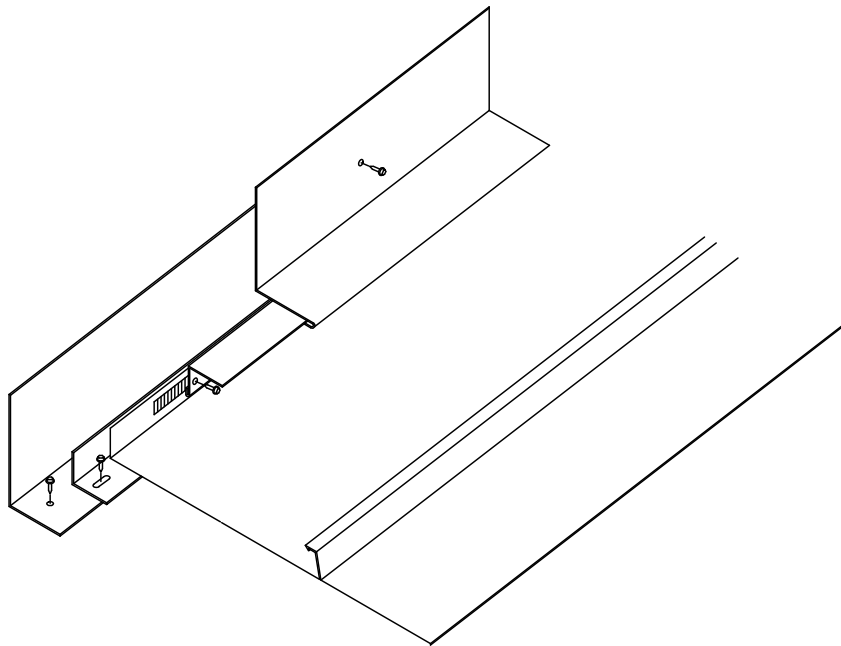
Dec., 2018



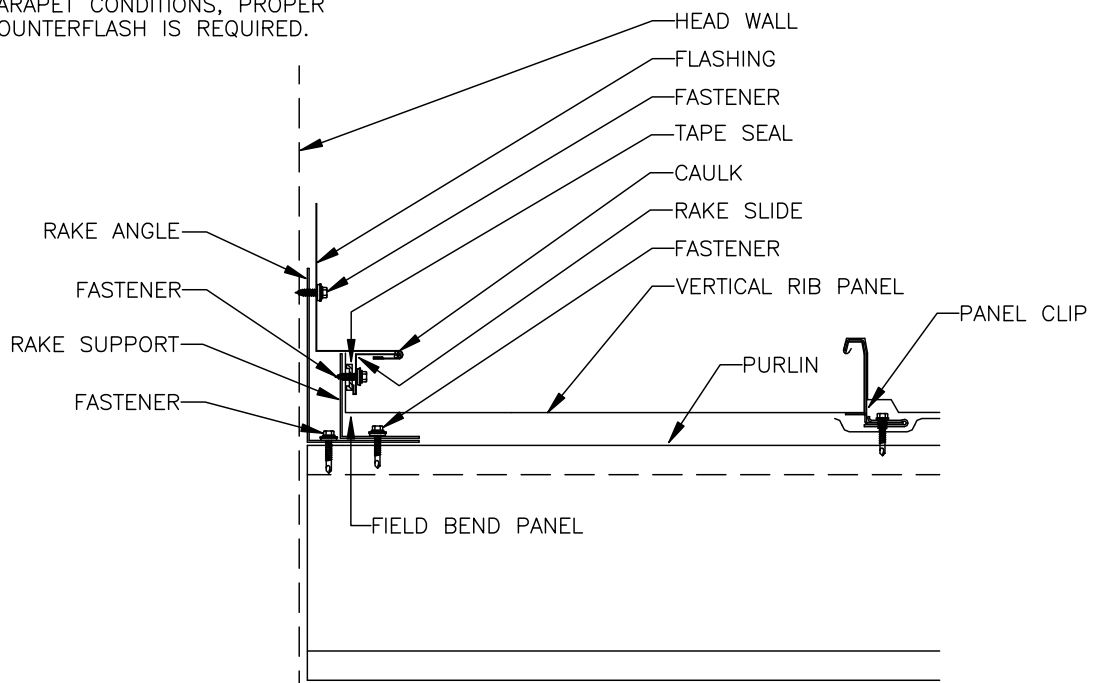
METAL BUILDING SYSTEMS MANUAL

DETAIL: VERTICAL RIB FLOATING RAKE AT HEAD WALL

2-26



NOTE: AT ALL HEADWALL AND PARAPET CONDITIONS, PROPER COUNTERFLASH IS REQUIRED.



These are generic details, representative of general industry practices, but individual manufacturer's details may vary. See Foreword for license and disclaimer of warranties.

©Metal Building Manufacturers Association, Inc. All rights reserved.

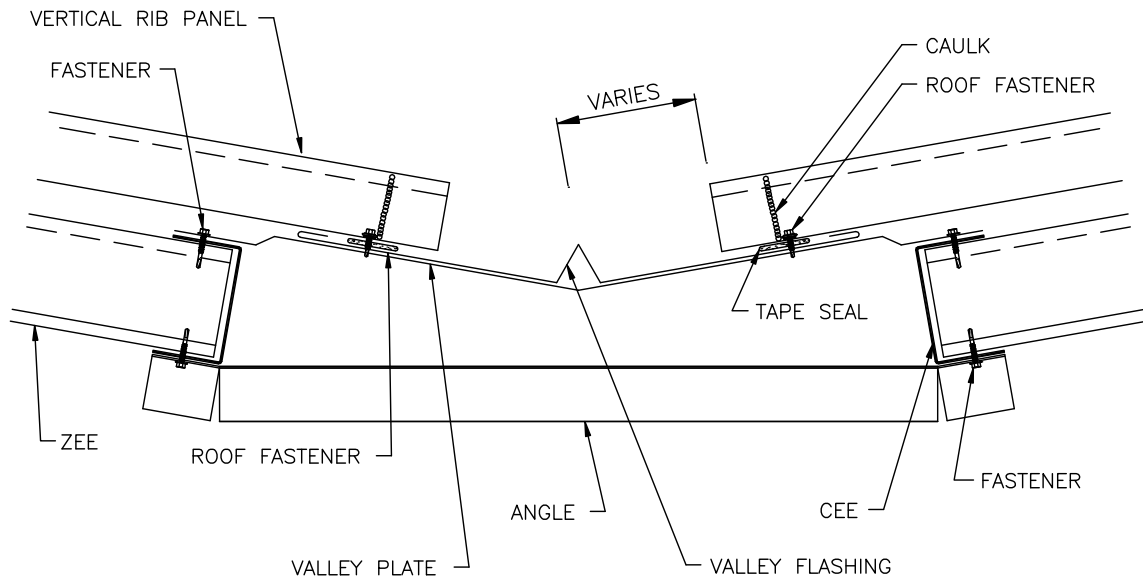
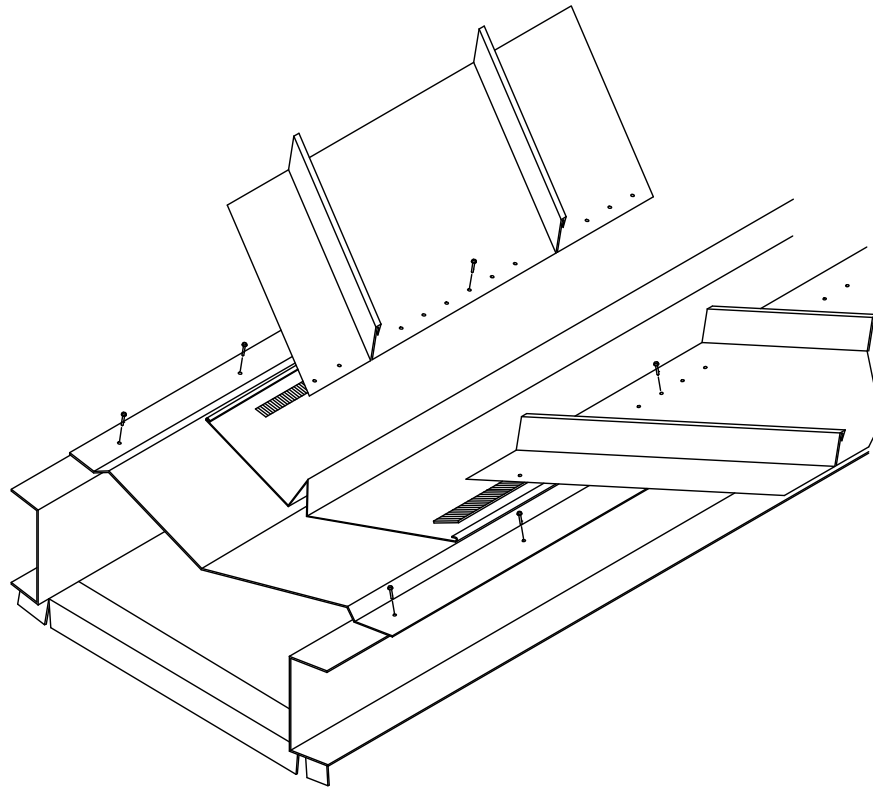
Dec., 2018



METAL BUILDING SYSTEMS MANUAL

DETAIL: VERTICAL RIB FIXED VALLEY

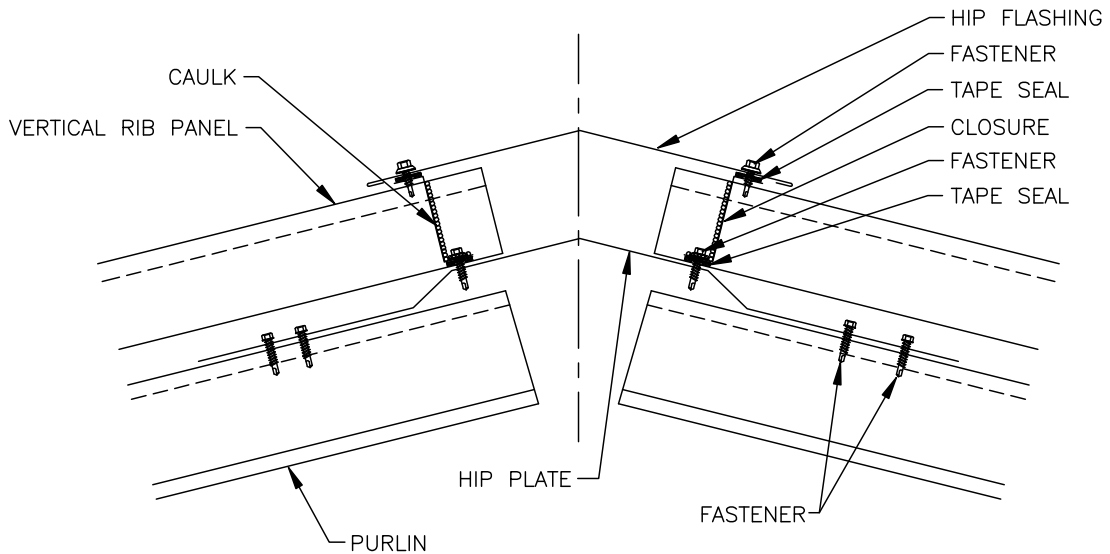
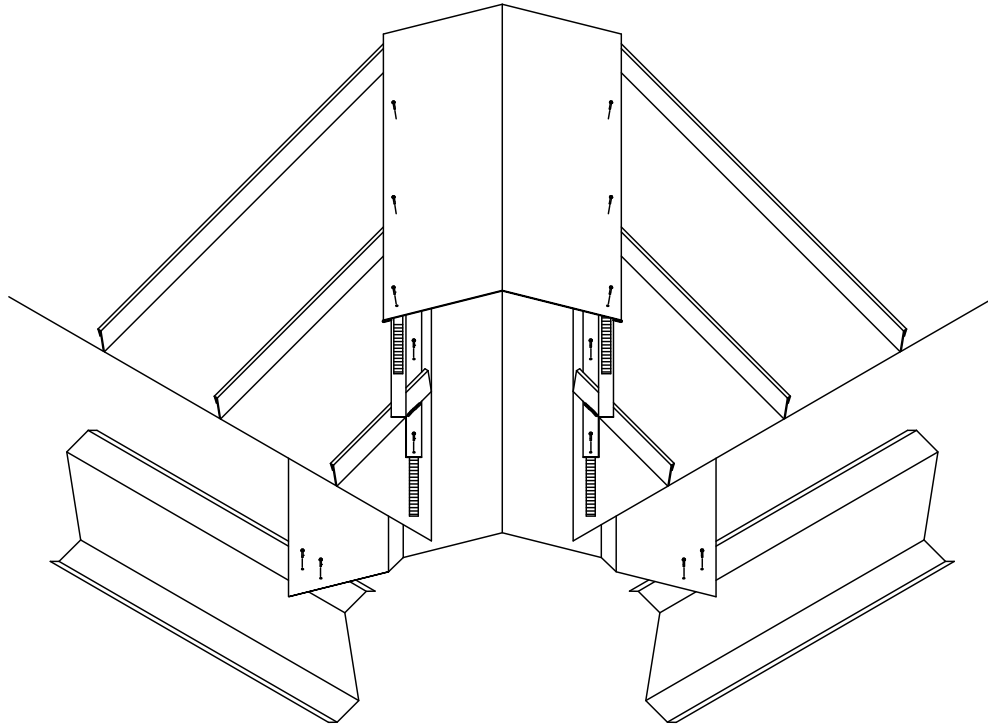
2-27



These are generic details, representative of general industry practices, but individual manufacturer's details may vary. See Foreword for license and disclaimer of warranties.

©Metal Building Manufacturers Association, Inc. All rights reserved.

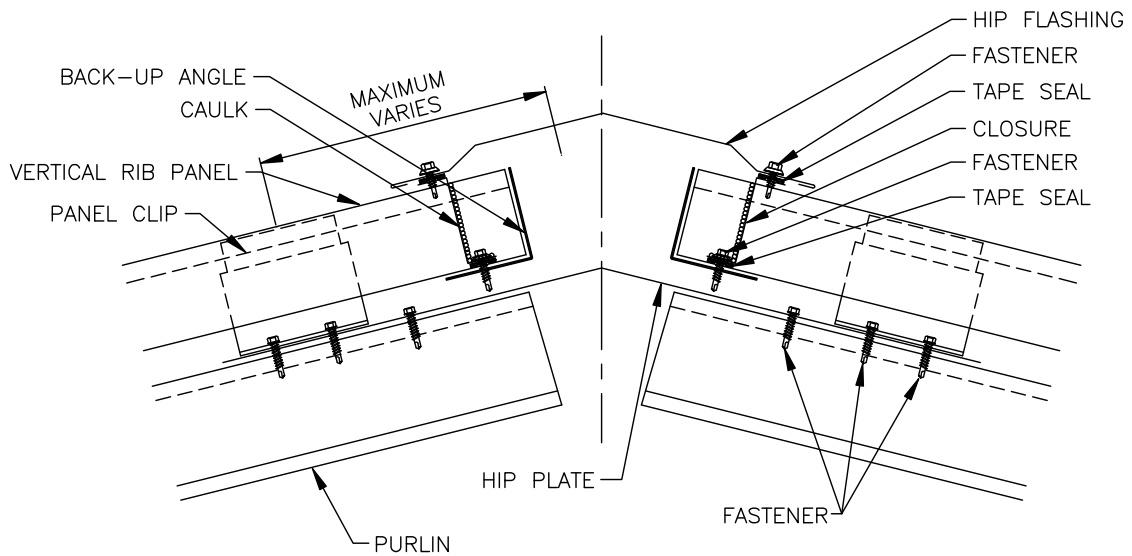
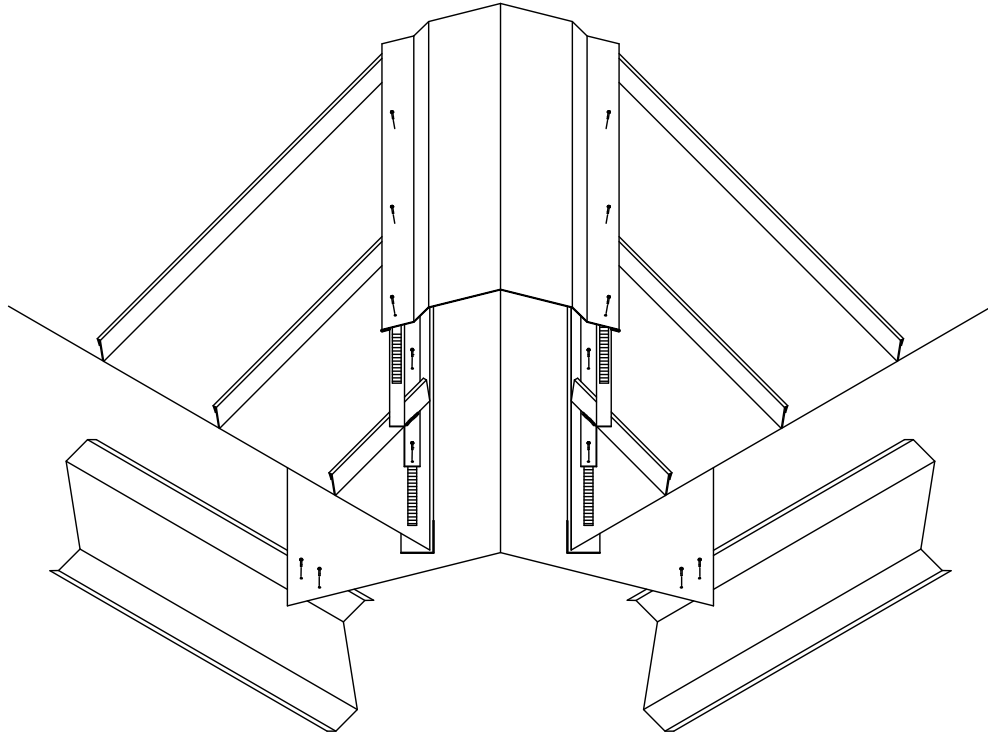
Dec., 2018



These are generic details, representative of general industry practices, but individual manufacturer's details may vary. See Foreword for license and disclaimer of warranties.

©Metal Building Manufacturers Association, Inc. All rights reserved.

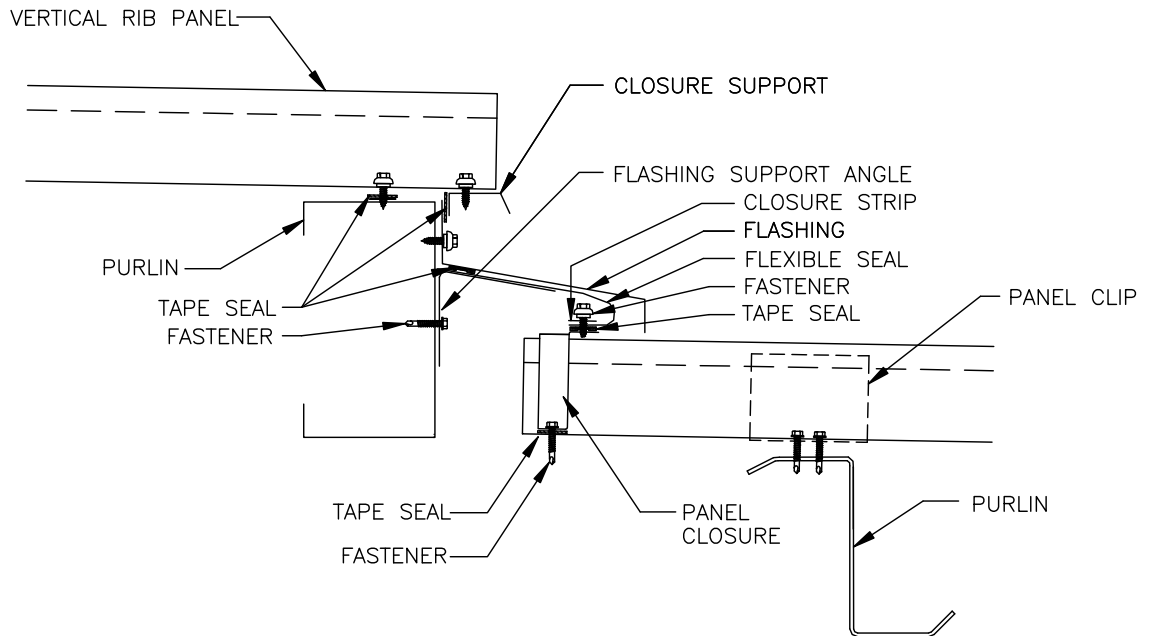
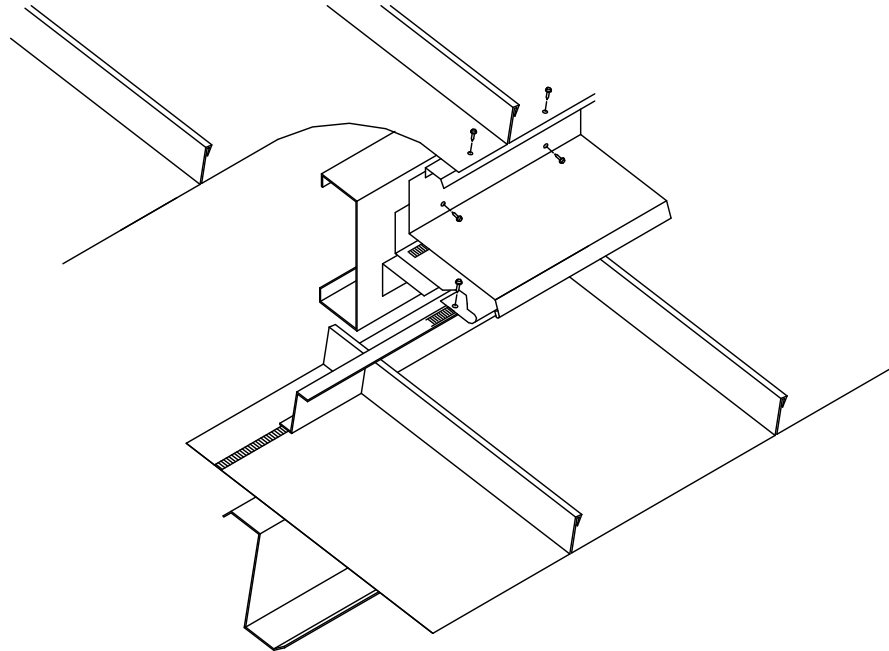
Dec., 2018



These are generic details, representative of general industry practices, but individual manufacturer's details may vary. See Foreword for license and disclaimer of warranties.

©Metal Building Manufacturers Association, Inc. All rights reserved.

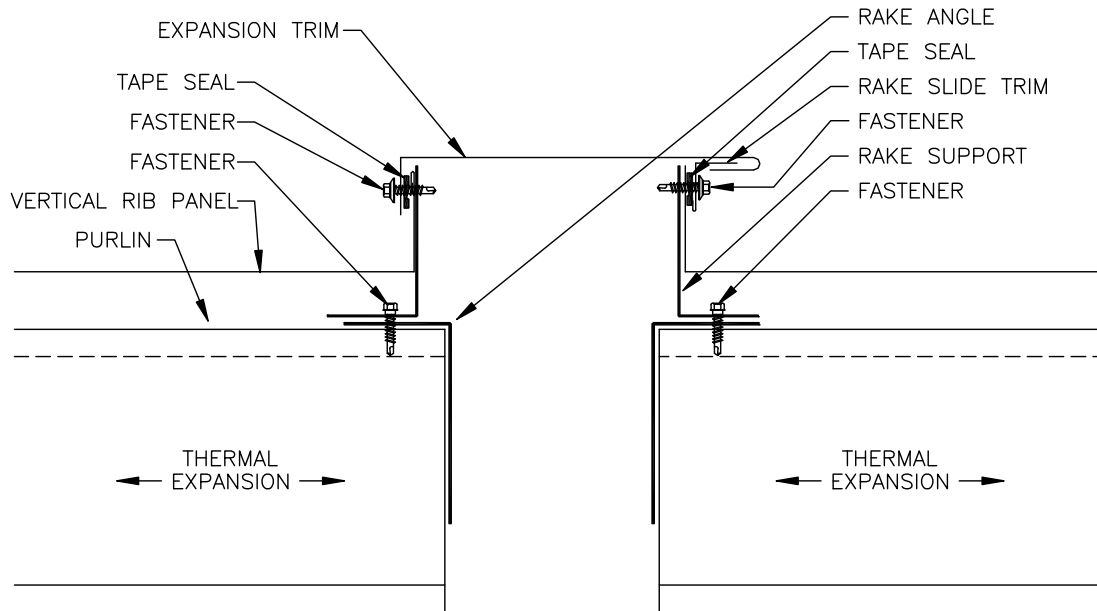
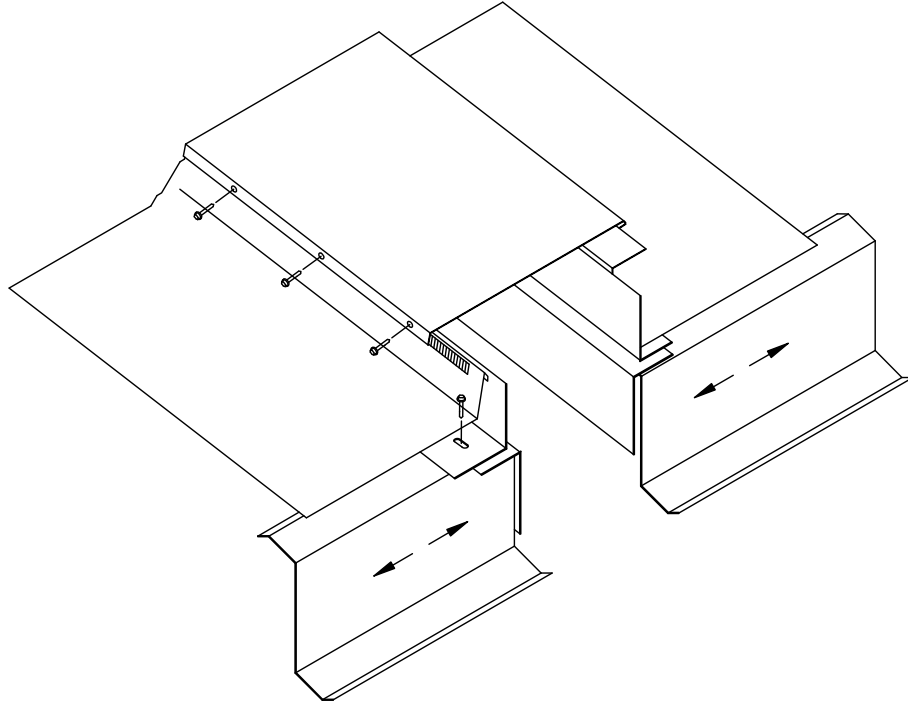
Dec., 2018



These are generic details, representative of general industry practices, but individual manufacturer's details may vary. See Foreword for license and disclaimer of warranties.

©Metal Building Manufacturers Association, Inc. All rights reserved.

Dec., 2018



These are generic details, representative of general industry practices, but individual manufacturer's details may vary. See Foreword for license and disclaimer of warranties.

©Metal Building Manufacturers Association, Inc. All rights reserved.

Dec., 2018